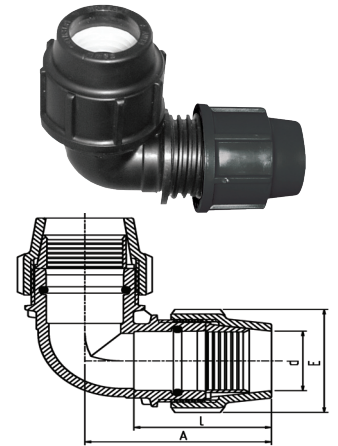


7050 - Metric Elbow

d (mm)	Part No.	A (mm)	E (mm)	I (mm)	Weight (g)	Price \$
16	PCF-ELB90-16	63	39	50	57	11.05
20	PCF-ELB90-20	73	48	56	95	14.75
25	PCF-ELB90-25	79	54	58	122	13.23
32	PCF-ELB90-32	93	64	67	187	20.44
40	PCF-ELB90-40	108	82	82	341	33.34
50	PCF-ELB90-50	127	96	93	495	43.47
75	PCF-ELB90-75	178	134	132	1304	98.18
90	PCF-ELB90-90	217	154	162	2168	153.95
110	PCF-ELB90-110	292	181	194	3810	202.23

Price Group: SD

MS01



7055 - Metric Mine Elbow

d (mm)	Part No.	A (mm)	E (mm)	I (mm)	Weight (g)	Price \$
63	PCF-ELB90-63	151	113	110	838	52.15

Price Group: SD

MS01

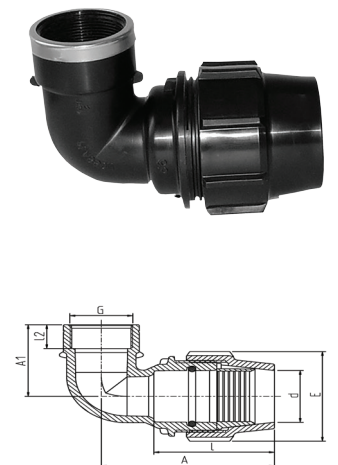


7150 - Metric Elbow x Female BSP

d (mm)	G (mm)	Part No.	A (mm)	A1 (mm)	E (mm)	I (mm)	I2 (mm)	Weight (g)	Price \$
20	19.05	PCF-ELB-20-20F	78	44	48	57	19	71	10.13
25	19.05	PCF-ELB-25-20F	81	46	54	58	19	81	11.10
25	12.70	PCF-ELB-25-15F	81	46	54	58	18	86	10.50
25	25.40	PCF-ELB-25-25F	83	50	54	58	21	90	11.10
32	25.40	PCF-ELB-32-25F	95	54	64	67	21	136	16.93
32	31.75	PCF-ELB-32-32F	99	60	64	67	25	167	16.93
40	25.40	PCF-ELB-40-25F	119	52	82	84	21	201	26.92
40	31.75	PCF-ELB-40-32F	119	62	82	84	25	245	26.92
40	38.10	PCF-ELB-40-40F	119	62	82	84	25	261	26.92
50	25.40	PCF-ELB-50-25F	133	57	96	93	21	280	38.25
50	31.75	PCF-ELB-50-32F	133	67	96	93	25	312	38.25
50	38.10	PCF-ELB-50-40F	135	66	96	93	25	344	38.25
50	50.80	PCF-ELB-50-50F	138	85	96	93	30	387	38.25
75	50.80	PCF-ELB-75-50F	188	100	134	132	30	810	80.88

Price Group: SD

MS01



7155 - Metric Elbow x Female BSP

d (mm)	G (mm)	Part No.	A (mm)	A1 (mm)	E (mm)	I (mm)	I2 (mm)	Weight (g)	Price \$
63	2"	PCF-ELB-63-50F	160	90	113	110	30	559	45.64

Price Group: SD

MS01



PLASSON®