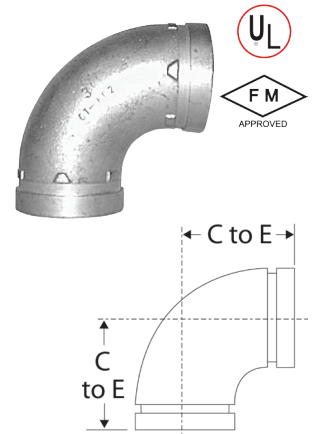


Standard Series 90° Roll Grooved Elbows - Galvanised

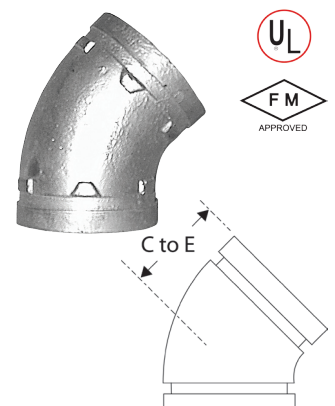
Markings:		Style 100						
Compatibility:		Interchangeable with Fig 10						
Approvals:		UL Listed, FM Approved						
Material:		Ductile Iron to ASTM-A536						
Size NB	Size (inch)	Part No.	WP		Centre to End (mm)	Approvals		Price \$
			PSI	MPa		UL	FM	
32	1¼"	FWG-10-42	500	3.5	57	✓	✓	11.07
40	1½"	FWG-10-48	500	3.5	64	✓	✓	11.29
50	2"	FWG-10-60	500	3.5	83	✓	✓	16.96
65	2½"	FWG-10-76	500	3.5	95	✗	✗	28.08
80	3"	FWG-10-88	500	3.5	108	✓	✓	33.91
250	10"	FWG-10-273	275	1.9	229	✗	✗	394.73



Price Group: FE
CG01

Standard 45° Roll Grooved Elbows - Galvanised

Markings:		Style 101						
Compatibility:		Interchangeable with Fig 11						
Approvals:		UL Listed, FM Approved						
Material:		Ductile Iron to ASTM-A536						
Size NB	Size (inch)	Part No.	WP		Centre to End (mm)	Approvals		Price \$
			PSI	MPa		UL	FM	
32	1¼"	FWG-11-42	500	3.5	45	✓	✓	9.72
40	1½"	FWG-11-48	500	3.5	45	✓	✓	9.72
50	2"	FWG-11-60	500	3.5	51	✓	✓	12.24
65	2½"	FWG-11-76	500	3.5	57	✗	✗	22.52
80	3"	FWG-11-88	500	3.5	64	✓	✓	30.57



Price Group: FE
CG01

Standard 22.5° Roll Grooved Elbows - Galvanised

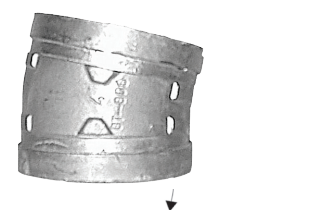
Size NB	Size (inch)	Part No.	WP		Centre to End (mm)	Price \$
			PSI	MPa		
100	4"	FWG-22-114	500	3.5	73	52.81
150	6"	FWG-22-165	400	2.8	79	86.17
200	8"	FWG-221/2-219	500	3.5	197	187.61



Price Group: FE
CG01

Standard 11.25° Roll Grooved Elbows - Galvanised

Size NB	Size (inch)	Part No.	WP		Centre to End (mm)	Price \$
			PSI	MPa		
80	3"	FWG-111/4-88	500	3.5	38	31.06
100	4"	FWG-111/4-114	500	3.5	44	36.42
150	6"	FWG-111/4-165	400	2.8	51	102.85
200	8"	FWG-111/4-219	500	3.5	51	140.64



Price Group: FE
CG01

Also available:
Roll Grooved Elbows in 5 deg, 10 deg, 15 deg,
30 deg, 58 deg, 65 deg, fabricated only.