

Gasket Lube - Roll Grooved Couplings

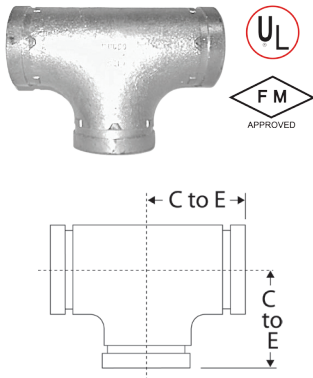


Application:	Specifically formulated where rubber gaskets are fitted especially in hot, dry and wet weather also used in areas where high levels of water quality are not required such as sewerage, irrigation and fire control systems. A consistently high quality of jointing is achieved. Incorrect lubricants, such as grease, can affect the life and effectiveness of a rubber gasket and also prevent correct positioning of the gasket which can cause joint leakage. It contains an approved bactericide which makes it safe to use with potable water.
Properties:	<ul style="list-style-type: none"> • Water soluble emulsion. Excess lubricant is quickly removed from pipe systems when the system is flushed. • No detrimental effect on the natural synthetic rubbers used in gasket materials • Jointing lubricant
Standards:	AS 4020-1999 Accredited under the Watermark Scheme MP 52 Spec 014. Licence No. W104

Part No.	Price \$
FFS-RGLUBE	21.09

Price Group: FE
HP02

Short Series Roll Grooved Equal Tees - Galvanised

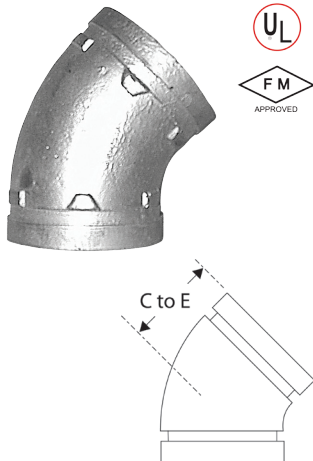


Markings:	Style 110S
Compatibility:	Interchangeable with Fig 002
Material:	Ductile Iron to ASTM-A536

Size NB	Size (inch)	Part No.	WP		Centre to End (mm)	Price \$
			PSI	MPa		
100	4	FWG-20-114S	500	3.5	102	58.37
150	6	FWG-20-165S	500	3.5	142	116.75
200	8	FWG-20-219S	500	3.5	179	266.86

Price Group: FE
CG01

Short Series 45° Roll Grooved Elbows - Galvanised

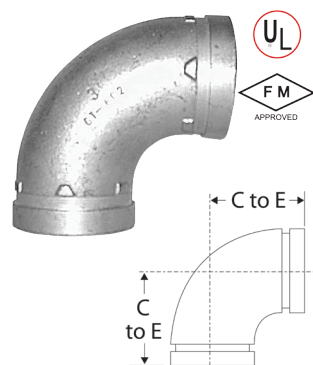


Markings:	Style 101S
Compatibility:	Interchangeable with Fig 003
Material:	Ductile Iron to ASTM-A536

Size NB	Size (inch)	Part No.	WP		Centre to End (mm)	Price \$
			PSI	MPa		
100	4	FWG-11-114S	500	3.5	76	37.53
150	6	FWG-11-165S	500	3.5	89	78.20
200	8	FWG-11-219S	500	3.5	108	158.44

Price Group: FE
CG01

Short Series 90° Roll Grooved Elbows - Galvanised



Markings:	Style 100S
Compatibility:	Interchangeable with Fig 001
Material:	Ductile Iron to ASTM-A536

Size NB	Size (inch)	Part No.	WP		Centre to End (mm)	Price \$
			PSI	MPa		
100	4	FWG-10-114S	500	3.5	102	44.48
150	6	FWG-10-165S	500	3.5	142	91.73
200	8	FWG-10-219S	500	3.5	179	172.35

Price Group: FE
CG01