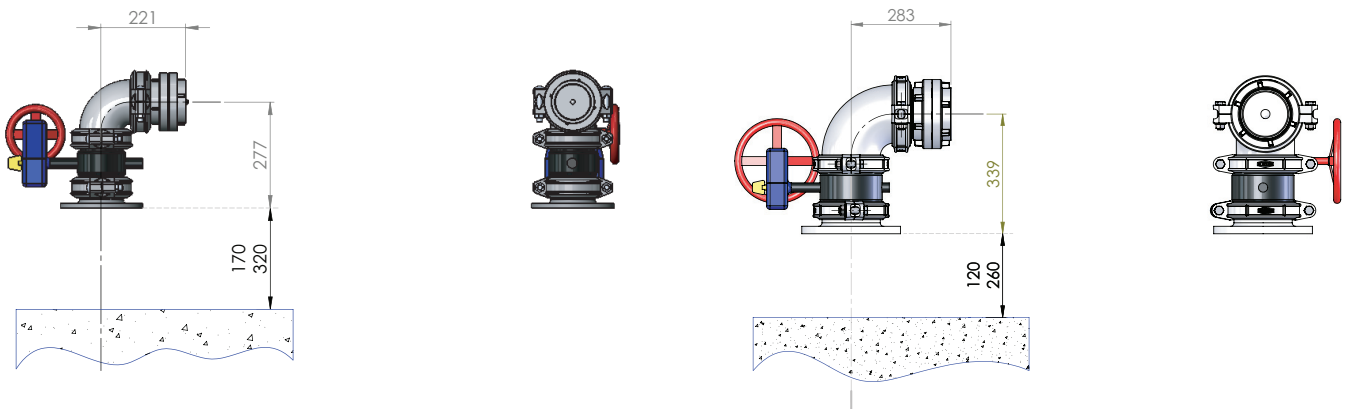


WA 125MM Storz Suction Connection



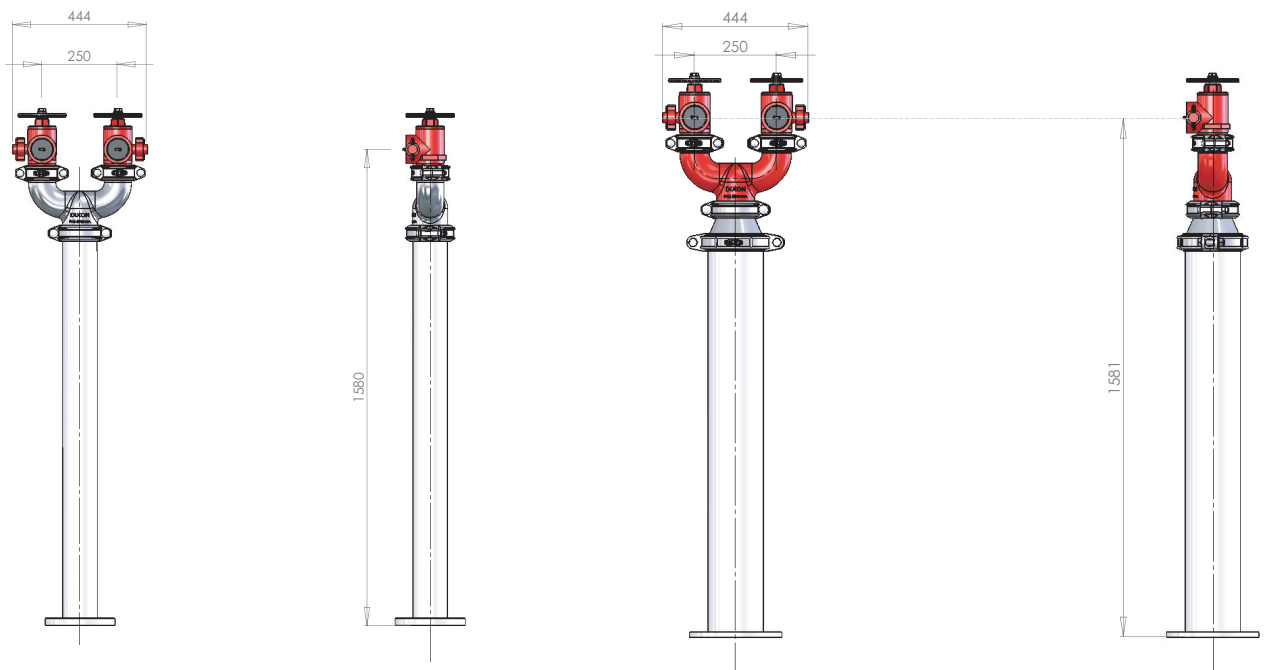
100NB & 150NB Assembly

Part No.	Description	Price \$
FFS-100MM-ST	100NB x 125mm Storz	2246.62
FFS-150MM-ST	150NB x 125mm Storz	2588.21

Note: Not assembled

Price Group: FE
FP02

WA Twin Hydrant Riser



100NB & 150NB Assembly

Part No.	Description	Price \$
FKG-HR-114-88KIT	100NB Galv. Hydrant Riser Kit	1628.44
FKG-HR-165-88KIT	150NB Galv. Hydrant Riser Kit	2816.27

Note: Not assembled

Price Group: FE
FG01