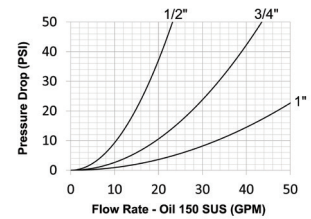


H-BOP Series Hydraulic Couplings

Materials:	<ul style="list-style-type: none"> Machined components are manufactured using solid steel or 316 stainless steel bar stock. Stainless steel balls, retaining rings, and springs maximize corrosion resistance and extend service life. Steel componentry is plated using ROHS Compliant Trivalent Chrome. Steel coupler sleeves are hardened to resist deformation and maximize service life. Steel nipples are hardened to provide heavy duty performance and resist brinelling. Red powder coated coupler sleeve and nipple hex for easy BOP service identification Locking sleeve is standard
Seal Components:	<ul style="list-style-type: none"> Blow-out Prevention (BOP) couplings contain severe service FKM seals PTFE Anti-Extrusion ring protects main coupling body seal from dynamic impulse pressure damage Coupler has redundant O-ring sealing system Valve seals are crimped in place to maintain integrity during excessive flow conditions and pressurized connection
Interchange Data:	<ul style="list-style-type: none"> Eaton/Hansen HKFR-Series, DNP HNV-BOP Series Interchangeable to ISO7241 Series B



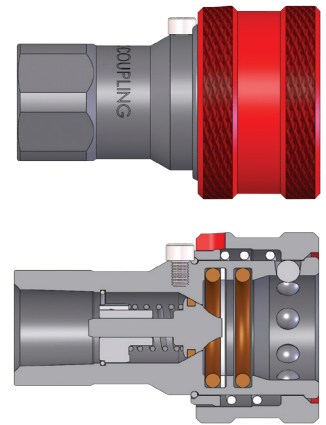
- BOP couplings have been fire tested and Lloyd's certified to 700°C in accordance with API 16D. Certificate available upon request.
- Use H-Series dust caps and dust plugs found on page 267

Rated Pressure Chart:

H-BOP-Series Blowout Prevention Safety Interchange										
Size (inch)	Brass Coupler / Plug				Brass Coupler / Steel Plug				Lloyd's Test Pressure	Flow ΔP = 22 PSI
	Max Working		Burst		Max Working		Burst			
	PSI	Bar	PSI	Bar	PSI	Bar	PSI	Bar		
1/2	5000	345	16000	1100	5000	345	22000	1500	5000	15 GPM
3/4	5000	345	16500	1150	5000	345	21500	1450	5000	29 GPM
1	5000	345	16000	1100	5000	345	15000	1000	5000	50 GPM

H-BOP Series Hydraulic Couplers

H-BOP Series Blowout Prevention Safety Coupler (Female Threads)												
Size (inch)	Part Detail			Length		Maximum OD		Hex mm	Weight Kgs	Package Qty		Price \$ (ea)
	Part No.	Threads	Material	Inch	mm	Inch	mm			Bag	Box	
1/2	4HF4-BOP	1/2" - 14 NPTF	Steel	2.86	72.6	1.86	47.2	1-5/16"	0.33	-	25	163.97
1/2	4HF4-SS-BOP	1/2" - 14 NPTF	316 SS	2.86	72.6	1.86	47.2	1-5/16"	0.35	-	25	295.12
3/4	6HF6-BOP	3/4" - 14 NPTF	Steel	3.55	90.2	2.22	56.4	1-5/16"	0.59	-	10	134.18
3/4	6HF6-SS-BOP	3/4" - 14 NPTF	316 SS	3.55	90.2	2.22	56.4	1-5/16"	0.60	-	10	305.32
1	8HF8-BOP	1" - 11 1/2 NPTF	Steel	4.13	104.9	2.49	63.2	1-5/8"	0.88	-	10	161.94
1	8HF8-SS-BOP	1" - 11 1/2 NPTF	316 SS	4.13	104.9	2.49	63.2	1-5/8"	0.88	-	10	358.56



H-BOP Series Hydraulic Nipples

H-BOP Series Blowout Prevention Safety Nipple (Female Threads)												
Size (inch)	Part Detail			Length		Maximum OD		Hex mm	Weight Kgs	Package Qty		Price \$ (ea)
	Part No.	Threads	Material	Inch	mm	Inch	mm			Bag	Box	
1/2	H4F4-BOP	1/2" - 14 NPTF	Steel	1.94	49.3	1.17	29.7	1-1/16"	0.11	-	25	96.48
1/2	H4F4-SS-BOP	1/2" - 14 NPTF	316 SS	1.94	49.3	1.17	29.7	1-1/16"	0.11	-	25	123.38
3/4	H6F6-BOP	3/4" - 14 NPTF	Steel	2.41	61.2	1.44	36.6	1-5/16"	0.21	-	10	60.42
3/4	H6F6-SS-BOP	3/4" - 14 NPTF	316 SS	2.41	61.2	1.44	36.6	1-5/16"	0.21	-	10	178.36
1	H8F8-BOP	1" - 11 1/2 NPTF	Steel	2.87	72.9	1.79	45.5	1-5/8"	0.35	-	10	72.11
1	H8F8-SS-BOP	1" - 11 1/2 NPTF	316 SS	2.87	72.9	1.79	45.5	1-5/8"	0.35	-	10	205.23

