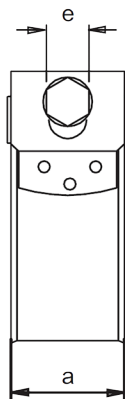
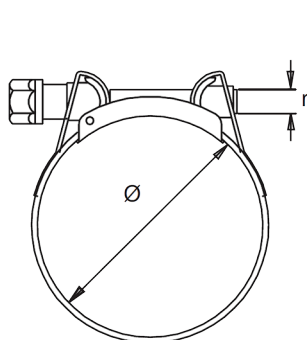


Mikalor Super Clamps - W1

Materials:	Band and bridge: mild steel screw: 8.8 grade steel
Protection:	Zinc Plate



E

Hose OD Range		Part No.	Dimensions			Max Bolt Torque	Box Qty	Price \$ (ea)
From:	To:		r	e (mm)	a (mm)	Torque Nm		
17	19	SW1-17	M5	8	18	4.5	50	2.25
20	22	SW1-19	M5	8	18	4.5	50	2.32
23	25	SW1-23	M5	8	18	4.5	50	3.45
26	28	SW1-25	M5	8	18	4.5	50	2.25
29	31	SW1-29	M6	10	20	8	50	2.99
32	35	SW1-31	M6	10	20	8	50	2.85
34	37	SW1-34	M6	10	20	8	50	3.33
36	39	SW1-37	M6	10	20	8	50	2.95
40	43	SW1-40	M6	11	22	8	50	3.22
44	47	SW1-43	M7	11	22	16	50	4.34
48	51	SW1-47	M7	11	22	16	50	4.38
52	55	SW1-51	M7	11	22	16	25	4.65
56	59	SW1-55	M7	11	22	16	25	4.72
60	63	SW1-59	M7	11	22	16	25	4.71
64	67	SW1-63	M7	11	22	16	25	5.62
68	73	SW1-68	M8	13	24	25	25	6.28
74	79	SW1-73	M8	13	24	25	25	6.49
80	85	SW1-79	M8	13	24	25	25	9.08
86	91	SW1-85	M8	13	24	25	25	6.52
92	97	SW1-91	M8	13	24	25	25	6.97
98	103	SW1-97	M8	13	24	25	25	6.45
104	112	SW1-104	M8	13	24	25	25	7.97
113	121	SW1-112	M8	13	24	25	25	7.80
122	130	SW1-121	M8	13	24	25	25	9.18
131	139	SW1-130	M10	17	26	50	10	10.63
140	148	SW1-140	M10	17	26	50	10	11.71
149	161	SW1-150	M10	17	26	50	10	12.80
162	174	SW1-162	M10	17	26	50	10	13.84
175	187	SW1-174	M10	17	26	50	10	15.04
188	200	SW1-187	M10	17	26	50	10	16.34
201	213	SW1-200	M10	17	26	50	10	16.56
214	226	SW1-213	M10	17	26	50	10	19.58
227	239	SW1-226	M10	17	26	50	10	17.18
240	252	SW1-239	M10	17	26	50	10	16.28

Price Group: SD
AO10