

minsup

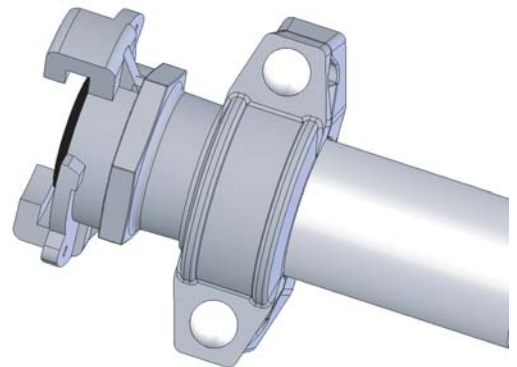
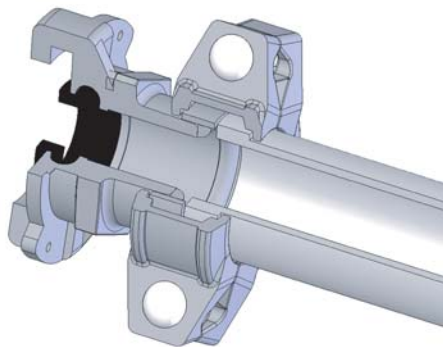
2" Shouldered Surelock



The new Surelock x Shouldered Coupling is a cost effective solution designed to eliminate the need for laborious threaded connections.

Developed specifically for Australian underground mining applications, the Surelock Shouldered Coupling is another innovative product from Dixon.

- 500 psi Working Pressure
- New Composite Bellows Seal
- SG Iron AS1831-400-250-12
- Natural rubber gasket
- Part number SLV50



The Right Connection™

Dixon (Asia Pacific) Pty Ltd

170 Francis Road, Wingfield SA 5013

PO Box 2491, Regency Park SA 55942

Phone (08) 8202 6000 Fax (08) 8202 6096

www.dixonvalve.com.au