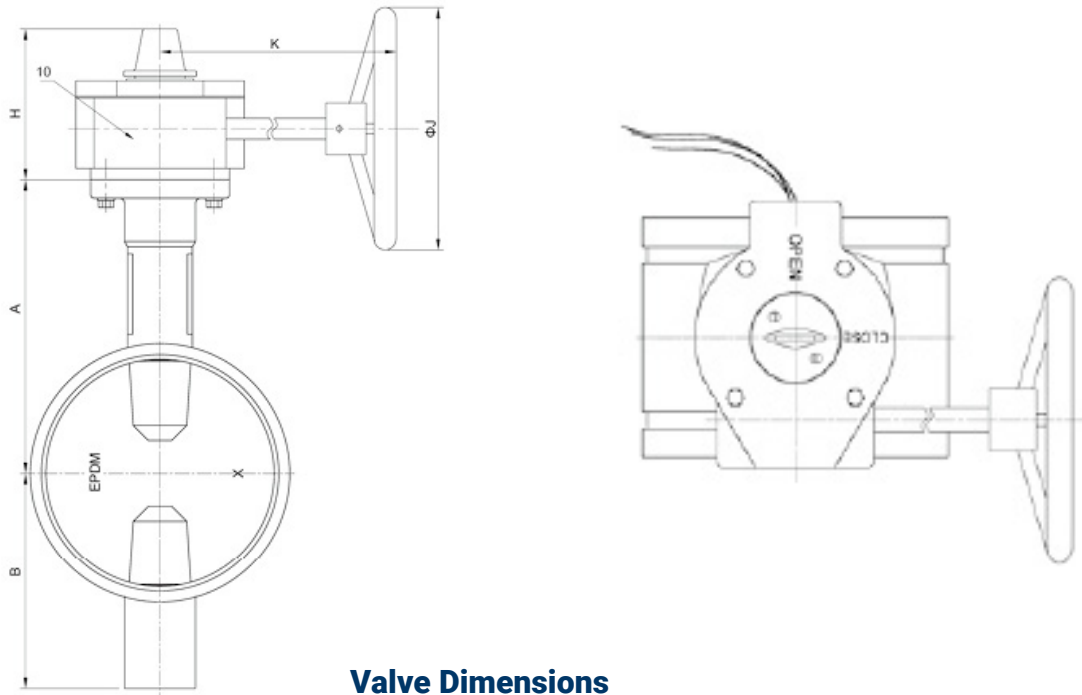


Grooved Monitored Butterfly Valve

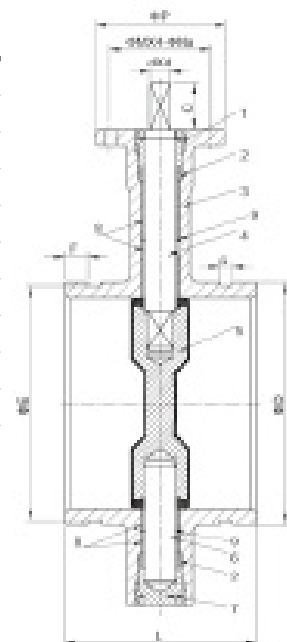
Technical Information



Valve Dimensions

Size (inch)	A	B	C	D	E	F	G	H	K		J	P	M	N	d	L
2-1/2	125	95	32	73	69.1	15.9	7.9	111	153	218	152	90	70	9	10	96.4
				76.1	72.3											
3	140	100	32	88.9	84.9	15.9	7.9	111	153	218	152	90	70	9	11	97
4	160	100	32	114.3	110.1	15.9	9.5	111	153	218	152	90	70	9	14	115.1
6	190	140	32	165.1	160.9	15.9	9.5	111	153	218	200	90	70	9	16	132.4
				168.3	164											148
8	230	175	32	219.1	214.4	19	11.1	111	153	218	152	90	70	9	19	133
				216.3	211.6											147.4

Number	Description	Material	Standard
1	Upper Shaft Sealing Nut	WCB	ASTM A216
2	Shaft Seal	EPDM	ASTM D2000
3	Body	Ductile Iron	ASTM A536 Grade 65-45-12
4	Upper Shaft	416 Stainless Steel	ASTM A582
5	Disc+Rubber Seat	Ductile Iron_EPDM	ASTM A536+ASTM D2000
6	Lower Shaft	416 Stainless Steel	ASTM A582
7	Lower Shaft Sealing Nut	WCB	ASTM A216
8	Stem Bushing	PTFE/C95400	
9	O-Ring	EPDM	ASTM D2000
10	Gearbox	-	-



Dixon
 1300 134 651
 customerservice@dixonvalve.com.au
 dixonvalve.com.au