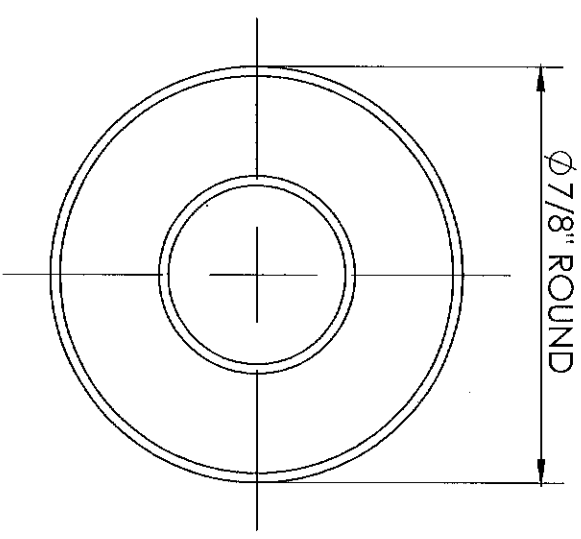
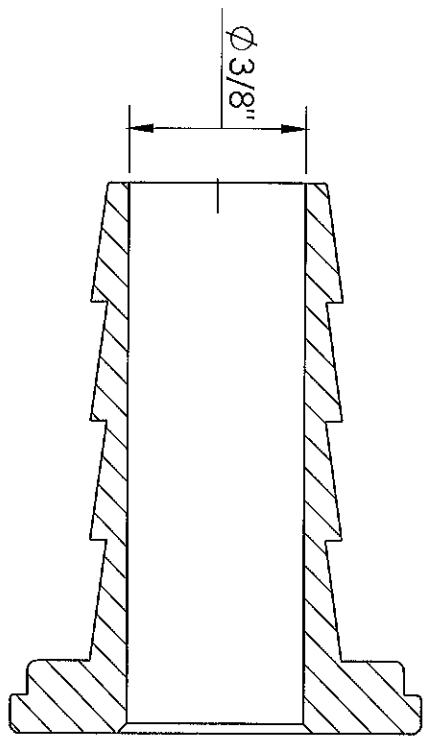
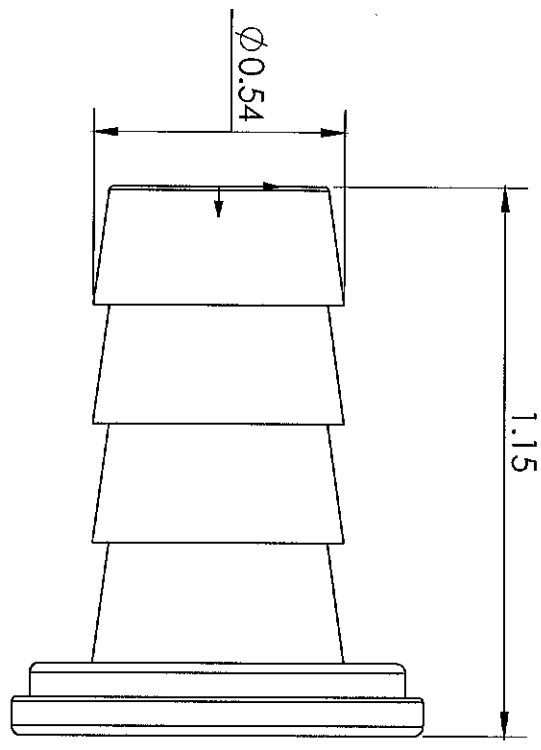


LINE DRAWING NOT FOR PRODUCTION PURPOSES



MATERIAL 7/8" ROUND ALLOY 360 BRASS

This drawing is owned by Dixon Valve & Coupling Co. and shall be returned upon demand. It is loaned on condition that it shall not be copied or reproduced or submitted to others without the owner's consent. In accepting it, subject to this condition, the recipient further agrees that this drawing or any detail or concept disclosed herein shall not be used in any way detrimental to or in competition with the owner. If the recipient does not agree to the terms of this agreement they shall return this drawing immediately. The information contained in this drawing is subject to change without notice.



Dixon Brass
Westmont, Illinois USA

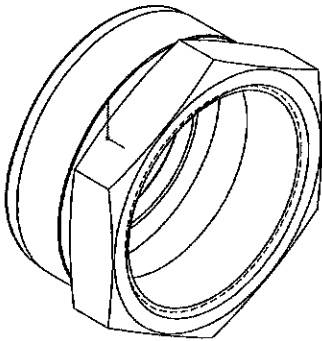
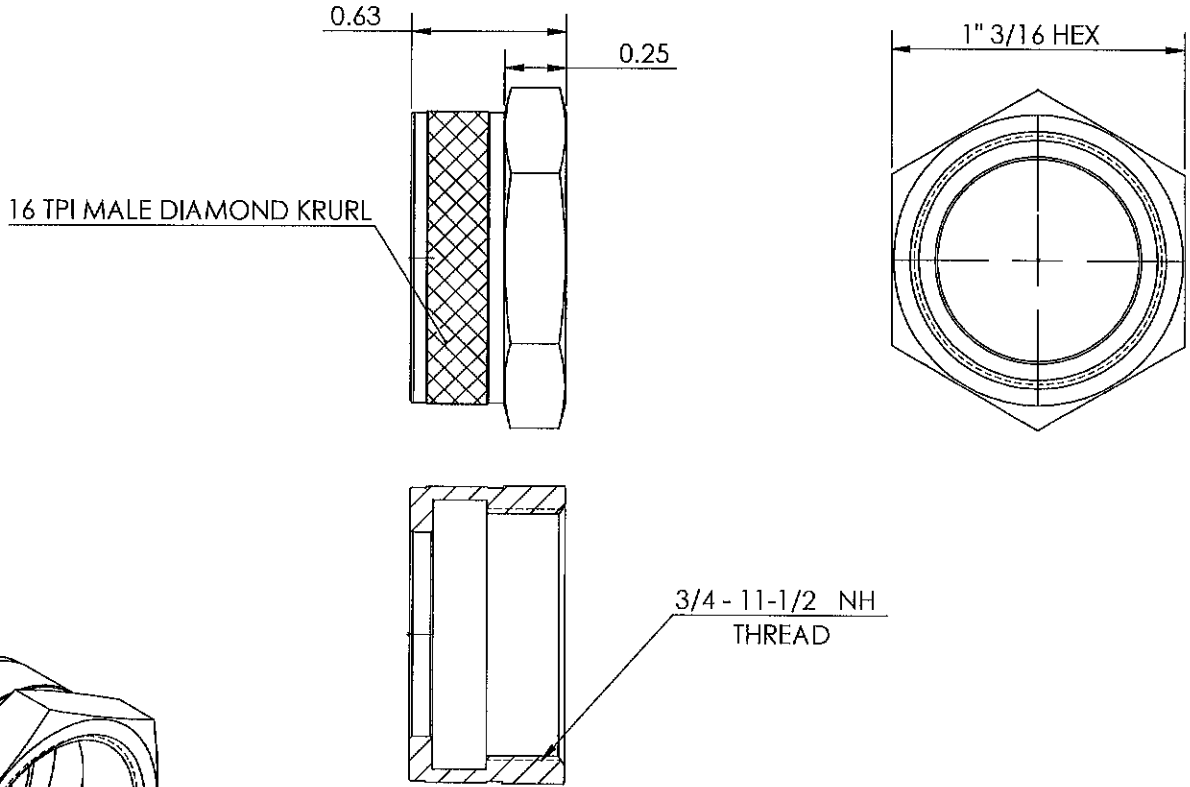
| | |
|------------|----------|
| DRAWN | DATE |
| H. BARRERA | 12/11/17 |
| APPROVED | DATE |
| | |
| ECO NO. | |


TITLE: 1/2 GARDEN HOSE STEM (3 BARB)

DO NOT SCALE THIS DRAWING

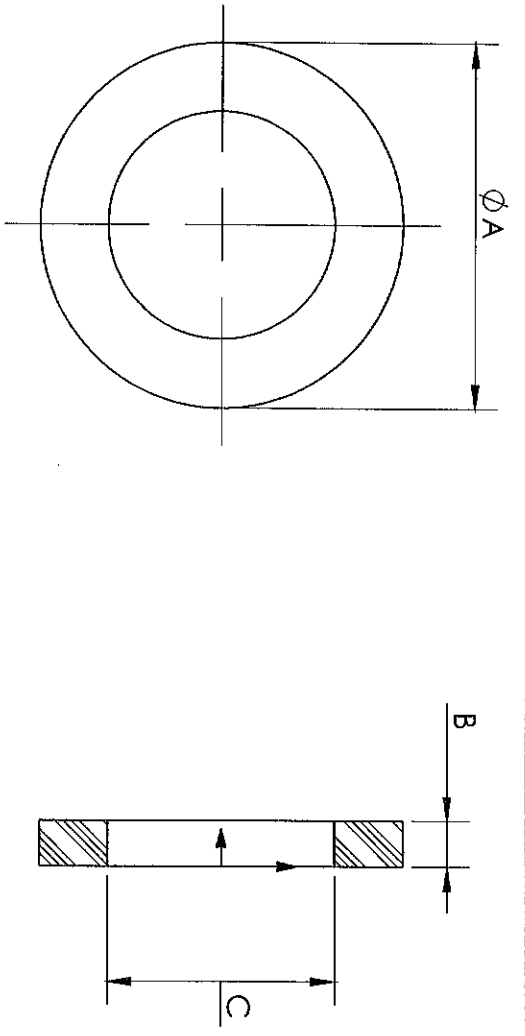
| | | |
|------|----------|-----|
| SIZE | DWG. NO. | REV |
| A | 5860812S | A |

LINE DRAWING NOT FOR PRODUCTION PURPOSES



| | | | | |
|---|----------------------|---|----------------------------------|-------------------------|
| THIS DRAWING CONTAINS INFORMATION DEEMED PROPRIETARY TO DIXON BRASS AND IS SO TO BE USED ONLY FOR THE PURPOSE FOR WHICH IT IS SUBMITTED, AND FURTHER, SHALL NOT BE COPIED IN WHOLE OR IN PART WITHOUT EXPRESS WRITTEN PERMISSION FIRST OBTAINED FROM DIXON BRASS. | | | | |
| UNLESS OTHERWISE SPECIFIED: | | | | |
| DIMENSIONS ARE IN INCHES | |  Dixon Brass Westmont, Illinois USA | DRAWN P. MONAGHAN APPROVED | DATE 1/11/16 DATE |
| TOLERANCES: ANGLES: $\pm 0^{\circ}30'$.X ($\pm .015$) .XX ($\pm .010$) .XXX ($\pm .005$) DIMENSIONS PER ANSI Y14.6 | | | ECO NO. | |
| TITLE: GARDEN HOSE NUT | | DRAWING NOT REPRODUCED TO SCALE | | |
| SIZE A | DWG. NO. 5911212N | REV J | | |

| REV | COMMENTS | DATE |
|-----|----------|---------|
| B | REDRAWN | 5/31/19 |



| MATERIAL | PART NUMBER | A | B | C |
|-------------------|-------------|-------------|------------|------------|
| BLACK SBR 80 DURO | 5911212W | 1.000 ±.010 | .125 ±.005 | .625 ±.010 |
| | 5911616W | 1.270 ±.020 | .125 ±.005 | .860 ±.010 |

| MATERIAL | PART NUMBER | A | B | C |
|--|--------------|-------------|------------|------------|
| BLACK PEROXIDE CURE EPDM NSF61,70 DURO WITH WHITE STRIPE | 5911212WEPDM | 1.000 ±.010 | .125 ±.005 | .625 ±.010 |
| | 5911616WEPDM | 1.270 ±.020 | .125 ±.005 | .860 ±.010 |

THIS DRAWING CONTAINS INFORMATION DEEMED PROPRIETARY TO DIXON BRASS AND IS SO TO BE USED ONLY FOR THE PURPOSE FOR WHICH IT IS SUBMITTED, AND FURTHER, SHALL NOT BE COPIED IN WHOLE OR IN PART WITHOUT EXPRESS WRITTEN PERMISSION FIRST OBTAINED FROM DIXON BRASS. UNLESS OTHERWISE SPECIFIED:

DIMENSIONS ARE IN INCHES
 TOLERANCES:
 ANGLES .30°
 .XX (.010)
 .XXX (.005)
 DIMENSIONS PER ANSI Y14.5



Dixon Brass
 Westmont, Illinois USA

TITLE:

GARDEN HOSE WASHER

| | |
|----------|-------------|
| DATE | 5/31/19 |
| DRAWN | P. MONAGHAN |
| APPROVED | |
| DATE | |
| ECO NO. | |

| | | |
|------|------------|-----|
| SIZE | DWG. NO. | REV |
| A | 591 SERIES | B |

DRAWING NOT REPRODUCED TO SCALE