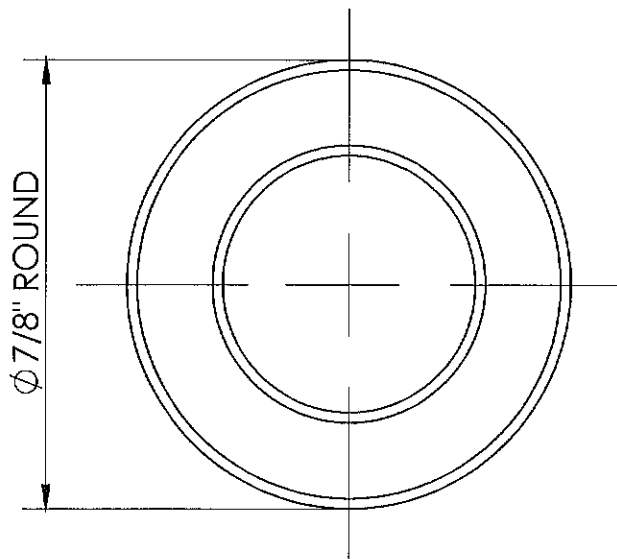
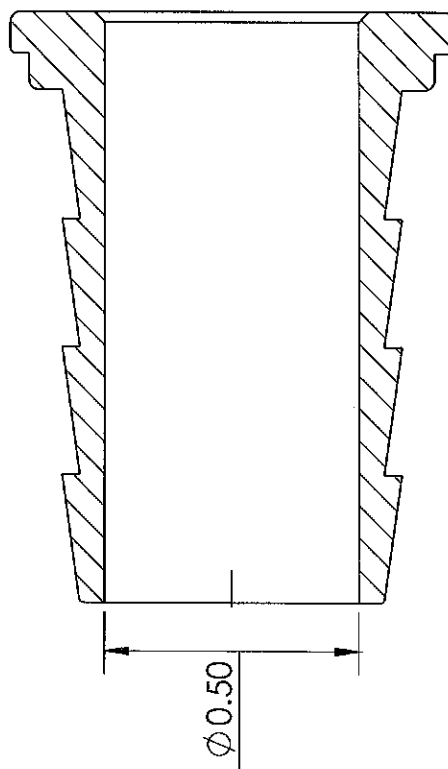
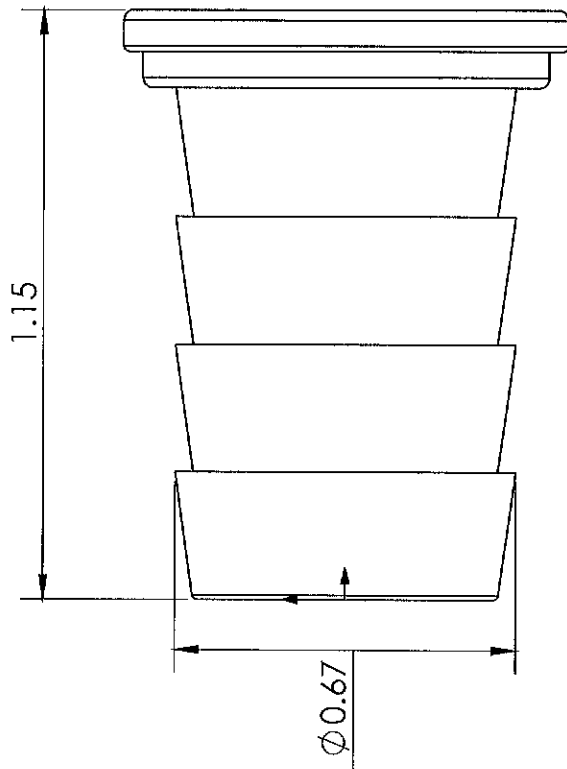


LINE DRAWING NOT FOR PRODUCTION PURPOSES



MATERIAL 7/8" ROUND ALLOY 360 BRASS

This drawing is owned by Dixon Valves, Coupling Co. and shall be returned upon demand. It is loaned on condition that it shall not be copied or altered in any way without the express consent. In return for this loan, the recipient further agrees that this drawing or any design detail or concept disclosed herein shall not be used in any way detrimental to or in competition with the owner. If the recipient does not agree to the terms of this agreement they shall return this drawing immediately. The information contained in this drawing is subject to change without notice.

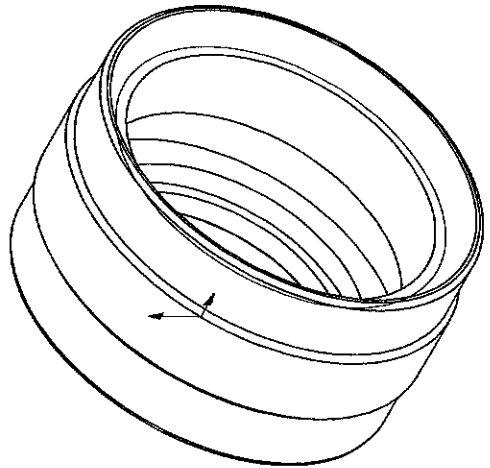
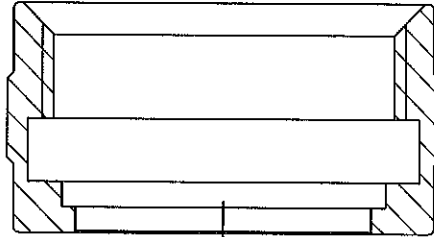
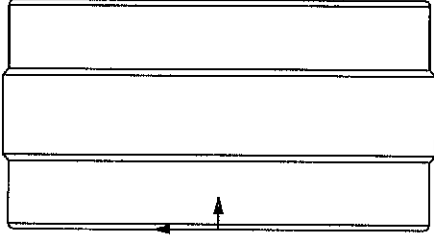
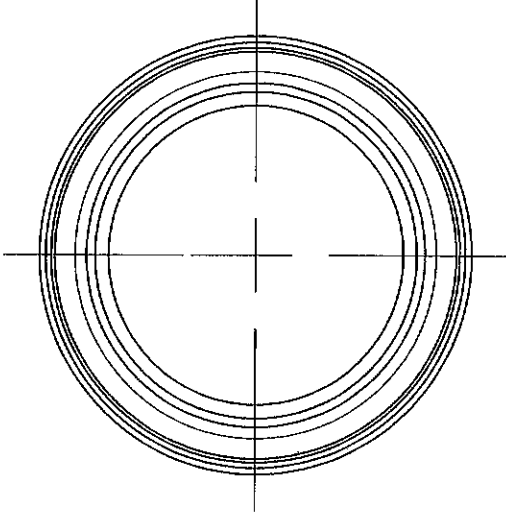


**Dixon Brass**  
Westmont, Illinois USA

|            |          |
|------------|----------|
| DRAWN      | DATE     |
| H. BARRERA | 12/11/17 |
| APPROVED   | DATE     |
| ECO NO.    |          |

|                                      |     |
|--------------------------------------|-----|
| DO NOT SCALE THIS DRAWING            |     |
| TITLE: 5/8 GARDEN HOSE STEM (3 BARB) | REV |
| SIZE DWG. NO. A 5861012S             | A   |

LINE DRAWING NOT FOR PRODUCTION PURPOSES



MATERIAL 1 3/16 RD ALLOY 360 BRASS

This drawing is owned by Dixon Valves, Coupling Co. and shall be returned upon demand. It is loaned on condition that it shall not be copied or reproduced or submitted to others without the owner's consent. In accepting it, subject to this condition, the recipient further agrees that this drawing or any design detail or concept disclosed herein shall not be used in any way detrimental to or in competition with the owner. If the recipient does not agree to the terms of this agreement they shall return this drawing immediately. The information contained in this drawing is subject to change without notice.

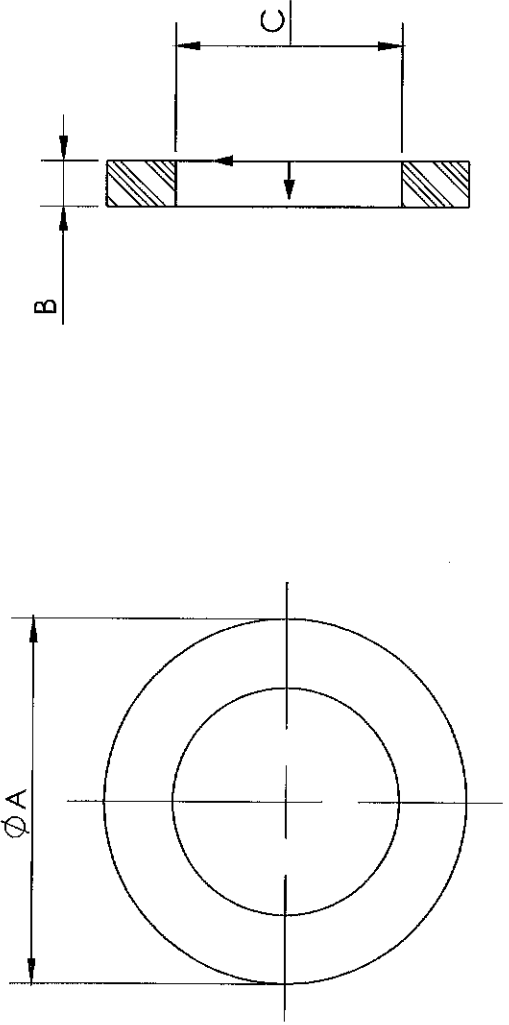


**Dixon Brass**  
Westmont, Illinois USA

|             |         |
|-------------|---------|
| DRAWN       | DATE    |
| P. MONAGHAN | 8/30/18 |
| APPROVED    | DATE    |
| ECO NO.     |         |

|                           |          |
|---------------------------|----------|
| DO NOT SCALE THIS DRAWING |          |
| SIZE                      | DWG. NO. |
| <b>A</b>                  | 5861012N |
| TITLE                     | REV      |
| KNURL NUT<br>GARDEN HOSE  | <b>D</b> |

| REV | COMMENTS | DATE    |
|-----|----------|---------|
| B   | REDRAWN  | 5/31/19 |



| MATERIAL   | PART NUMBER         | A           | B          | C          |
|--|---------------------|-------------|------------|------------|
| BLACK SBR 80 DURO  | 5911212W            | 1.000 ±.010 | .125 ±.005 | .625 ±.010 |
|  | <del>5911616W</del> | 1.270 ±.020 | .125 ±.005 | .860 ±.010 |
| MATERIAL   | PART NUMBER         | A           | B          | C          |
| BLACK PEROXIDE CURE EPDM NSF61,70 DURO WITH WHITE STRIPE | 5911212WEPDM        | 1.000 ±.010 | .125 ±.005 | .625 ±.010 |
|  | 5911616WEPDM        | 1.270 ±.020 | .125 ±.005 | .860 ±.010 |

THIS DRAWING CONTAINS INFORMATION DEEMED PROPRIETARY TO DIXON BRASS AND IS SO TO BE USED ONLY FOR THE PURPOSE FOR WHICH IT IS SUBMITTED, AND FURTHER, SHALL NOT BE COPIED IN WHOLE OR IN PART WITHOUT EXPRESS WRITTEN PERMISSION FIRST OBTAINED FROM DIXON BRASS. UNLESS OTHERWISE SPECIFIED:

DIMENSIONS ARE IN INCHES  
 TOLERANCES:  
 ANGLES: ±0°30'  
 .X (±.015)  
 .XX (±.010)  
 .XXX (±.005)  
 DIMENSIONS PER ANSI Y14.5

**Dixon Brass**  
 Westmont, Illinois USA

**The Right Connection®**

**TITLE:** GARDEN HOSE WASHER

**SIZE:** A

**DWG. NO.:** 591 SERIES

**REV:** B

**DATE:** 5/31/19

**DRAWN:** P. MONAGHAN

**APPROVED:**

**ECO NO.:**

**DRAWING NOT REPRODUCED TO SCALE.**