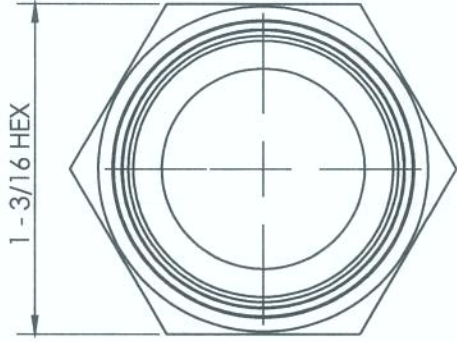
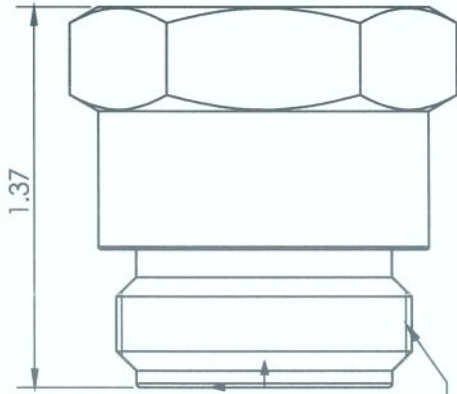
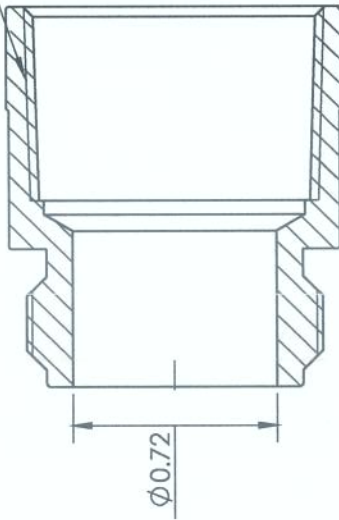


LINE DRAWING NOT FOR PRODUCTION PURPOSES



3/4 - 14 NPTF



MATERIAL 1 - 3/16 HEX ALLOY 360 BRASS

This drawing is owned by Dixon Valves, Coupling Co. and shall be returned upon demand. It is loaned on condition that it shall not be copied or reproduced or submitted to others without the owners consent. In the event of any such violation, the drawing shall be returned to the owner immediately. No part of this drawing or copying disclosed hereon shall not be used in any way detrimental to or in competition with the owner. If the recipient does not agree to the terms of this agreement they shall return this drawing immediately. The information contained in this drawing is subject to change without notice.

 Dixon Westmont, Illinois USA	DATE	9/25/17
	APPROVED	HENRY B.
ECO NO.		

DO NOT SCALE THIS DRAWING	
SIZE	A
DWG. NO.	5071212C
REV	A