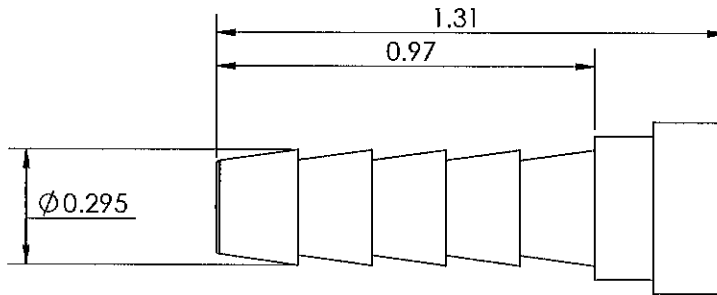
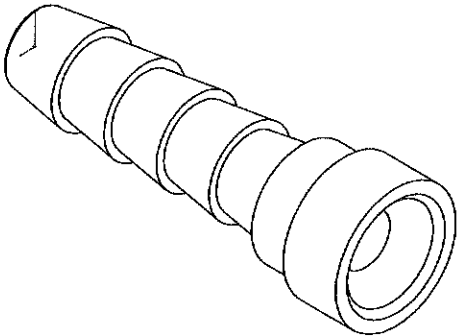
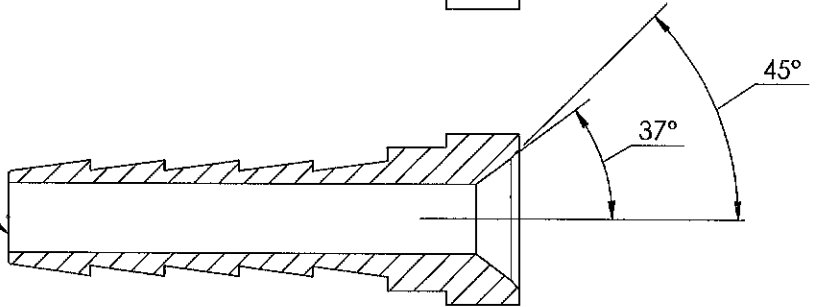



LINE DRAWING NOT FOR PRODUCTION PURPOSES

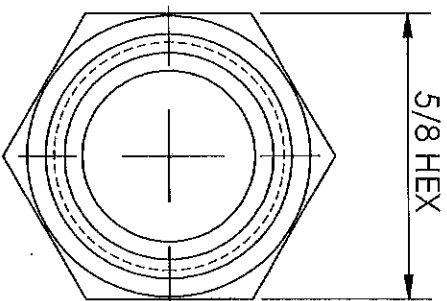
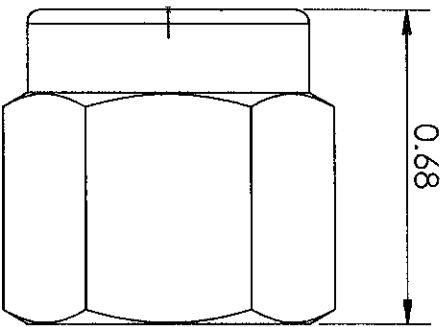


THRU HOLE DIA. .177

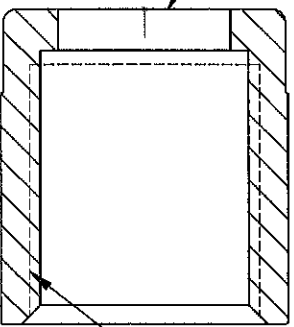


THIS DRAWING CONTAINS INFORMATION DEEMED PROPRIETARY TO DIXON BRASS AND IS TO BE USED ONLY FOR THE PURPOSE FOR WHICH IT IS SUBMITTED, AND FURTHER, SHALL NOT BE COPIED IN WHOLE OR IN PART WITHOUT EXPRESS WRITTEN PERMISSION FIRST OBTAINED FROM DIXON BRASS.				
UNLESS OTHERWISE SPECIFIED:				
DIMENSIONS ARE IN INCHES		 Dixon Brass Westmont, Illinois USA	DRAWN P. MONAGHAN APPROVED	DATE 3/10/14 DATE
TOLERANCES: ANGLES: $\pm 0^{\circ}30'$.X ($\pm .015$) .XX ($\pm .010$) .XXX ($\pm .005$) DIMENSIONS PER ANSI Y14.6			ECO NO.	
TITLE: FEMALE SWIVEL STEM DUAL ANGLE SEAT		DRAWING NOT REPRODUCED TO SCALE		
SIZE A	DWG. NO. 1430408S	REV F		

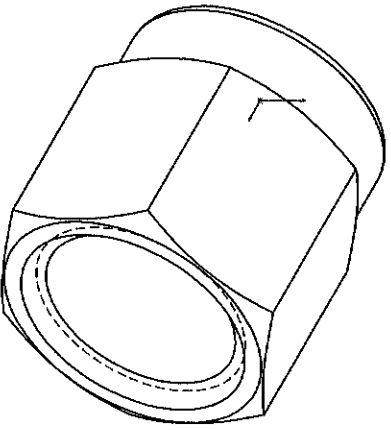
LINE DRAWING NOT FOR PRODUCTION PURPOSES



THRU HOLE DIA.
0.378
0.373



1/2 - 20 UNF
THREAD



THIS DRAWING CONTAINS INFORMATION DEEMED PROPRIETARY TO DIXON BRASS AND IS SO TO BE USED ONLY FOR THE PURPOSE FOR WHICH IT IS SUBMITTED AND FURTHER SHALL NOT BE COPIED IN WHOLE OR IN PART WITHOUT EXPRESS WRITTEN PERMISSION FIRST OBTAINED FROM DIXON BRASS.

UNLESS OTHERWISE SPECIFIED:

DIMENSIONS ARE IN INCHES

TOLERANCES:

ANGLES: $\pm 0^{\circ}30'$

X (± 0.015)

.XX (± 0.010)

.XXX (± 0.005)

DIMENSIONS PER ANSI Y14.5



Dixon Brass
Westmont, Illinois USA

TITLE:

SAE FEMALE SWIVEL NUT

DRW	DATE
P. MONAGHAN	5/20/14
APPROVED	DATE
ECO NO.	

DRAWING NOT REDUCED TO SCALE

SIZE	DWG. NO.	REV
A	1440408N	C