

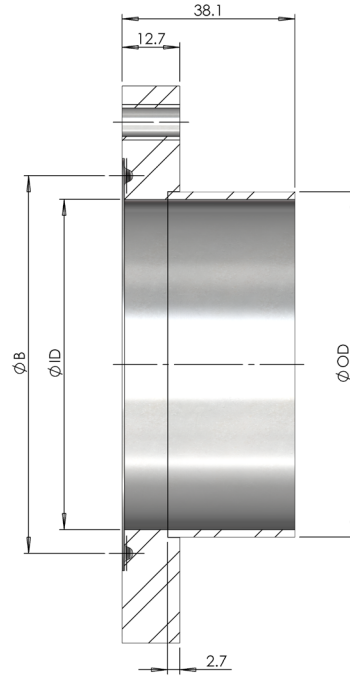
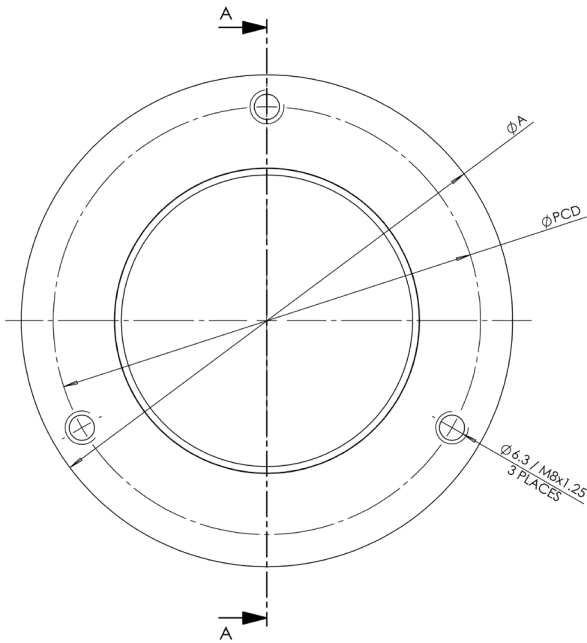


The Right Connection®

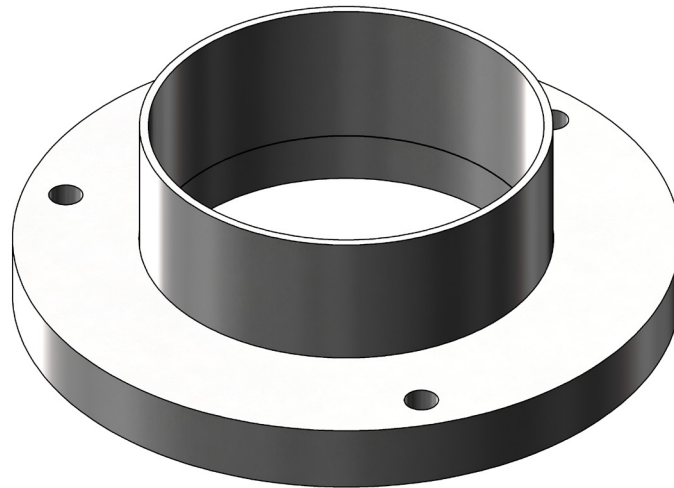
Dixon Sanitary Breakaway Couplings

Technical Information

Dimensional Drawings



SECTION A-A



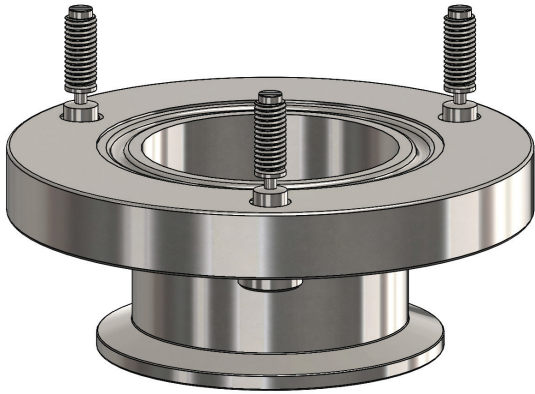


The Right Connection®

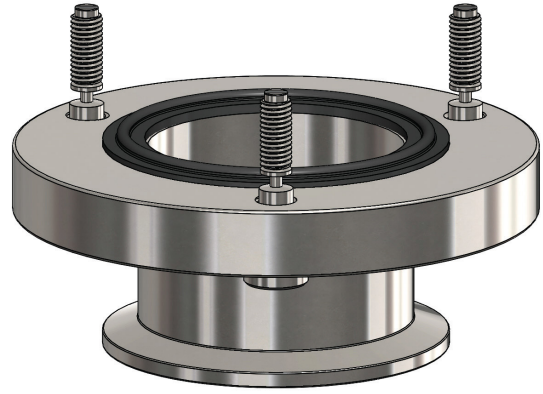
Dixon Sanitary Breakaway Couplings

Technical Information

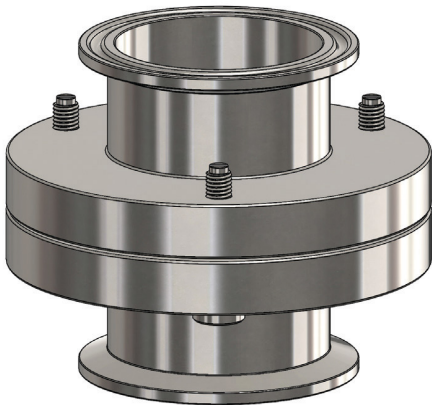
Assembly Instructions



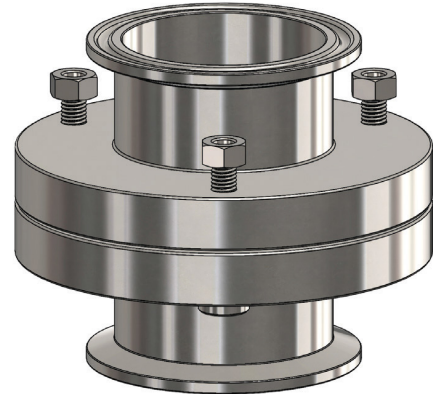
1. Thread in breakaway bolts, hand tight in body



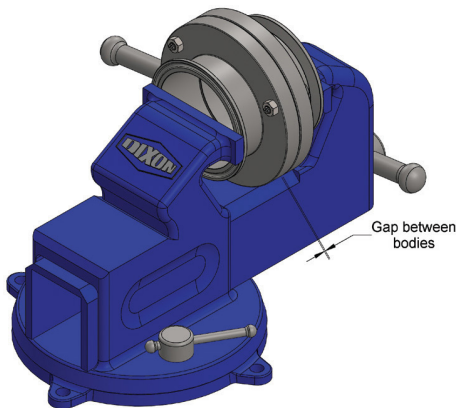
2. Place gasket on body



3. Place send body over bolts



4. Start nuts on bolt



5. Compress bodies together in vice to evenly reduce gap to 0.032 inches (check with feeler gauge)

6. Apply thread locker to bolts and hand tighten nuts

Dixon

1300 134 651

customerservice@dixonvalve.com.au

dixonvalve.com.au