

# Lubricator L08 EconOmist™



## Specifications

Flow Capacity*	1/4	52 SCFM (25 dm <sup>3</sup> /s, ANR)
Initial Drip Flow		1.3 SCFM
Maximum Supply Pressure	Plastic Bowl Metal Bowl	150 PSIG (10.3 bar) 250 PSIG (17.2 bar)
Minimum Flow for Lubrication		1.3 SCFM @ 100 PSIG
Operating Temperature	Plastic Bowl Metal Bowl	14° to 125°F (-10° to 52°C) 14° to 150°F (-10° to 65.5°C)
Port Size		NPT / BSPP-G 1/4
Bowl Capacity		0.6 oz
Weight		0.29 lb. (0.13 kg)

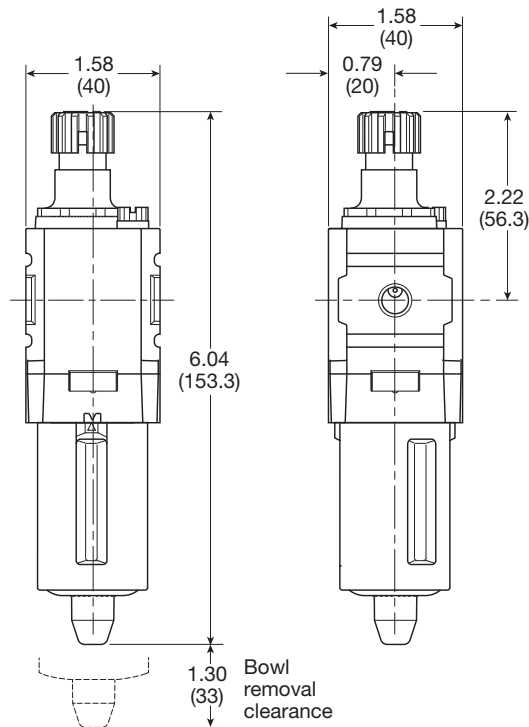
\* Inlet pressure 91.3 PSIG (6.3 bar). Pressure drop 4.9 PSID (0.34 bar).

## Materials of Construction

Body	Aluminum	
Body Cap	ABS	
Bowls	Plastic Bowl Metal Bowl	Polycarbonate Aluminum
Pick-up Filter	Sintered Bronze	
Seals	Plastic Bowl Metal Bowl	Nitrile Nitrile
Sight Dome	Polycarbonate	
Suggested Lubricant	Airline Oil F442001	

## Features

- Integral Sight Dome and Adjustment Knob
- Fill-under Pressure Design
- Modern Design and Appearance
- Light Weight
- High Flow Capacity
- Quick-disconnect Bowl



Inches (mm)

B

Filters, Regulators, Lubricators

= "Most Popular"

### Replacement Bowl Kits

- Metal Bowl –
  - Manual Drain ..... GRP-96-714
  - No Drain Port..... GRP-96-715

- Plastic Bowl –
  - Bowl Guard, Manual Drain ..... LRP-96-736
  - Bowl Guard, No Drain Port ..... LRP-96-713

### Replacement Kits

- Bowl O-ring –
  - Fluorocarbon ..... GRP-96-711
  - Nitrile..... GRP-96-710

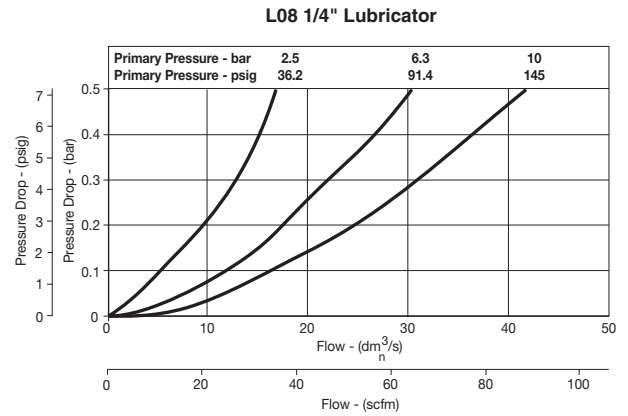
- Fill Plug Kit ..... LRP-96-730

- Sight Dome Assembly –
  - Nylon..... LRP-96-720
  - Polycarbonate, L08-XX-KXXX ..... LRP-96-725

- Siphon Tube Assembly ..... LRP-96-731

### Accessories

- Wall Mounting Bracket –
  - C-Type ..... GPA-97-010
  - T-Type ..... GPA-96-737



**B**  
Filters, Regulators, Lubricators

### Ordering Information

Model Type	Port Size	Plastic Bowl / Bowl Guard	Metal Bowl / No Sight Gauge
No Drain	1/4	L08-02-KC00B	L08-02-KD00B
Manual Drain	1/4	L08-02-KK00B	L08-02-KL00B

**Options** - To order an option supplied with the unit model, add the appropriate coded suffix letter in the designated position of the model number.