

REVISIONS			
REV	DESCRIPTION	DATE	APPROVED

D
C
B
A

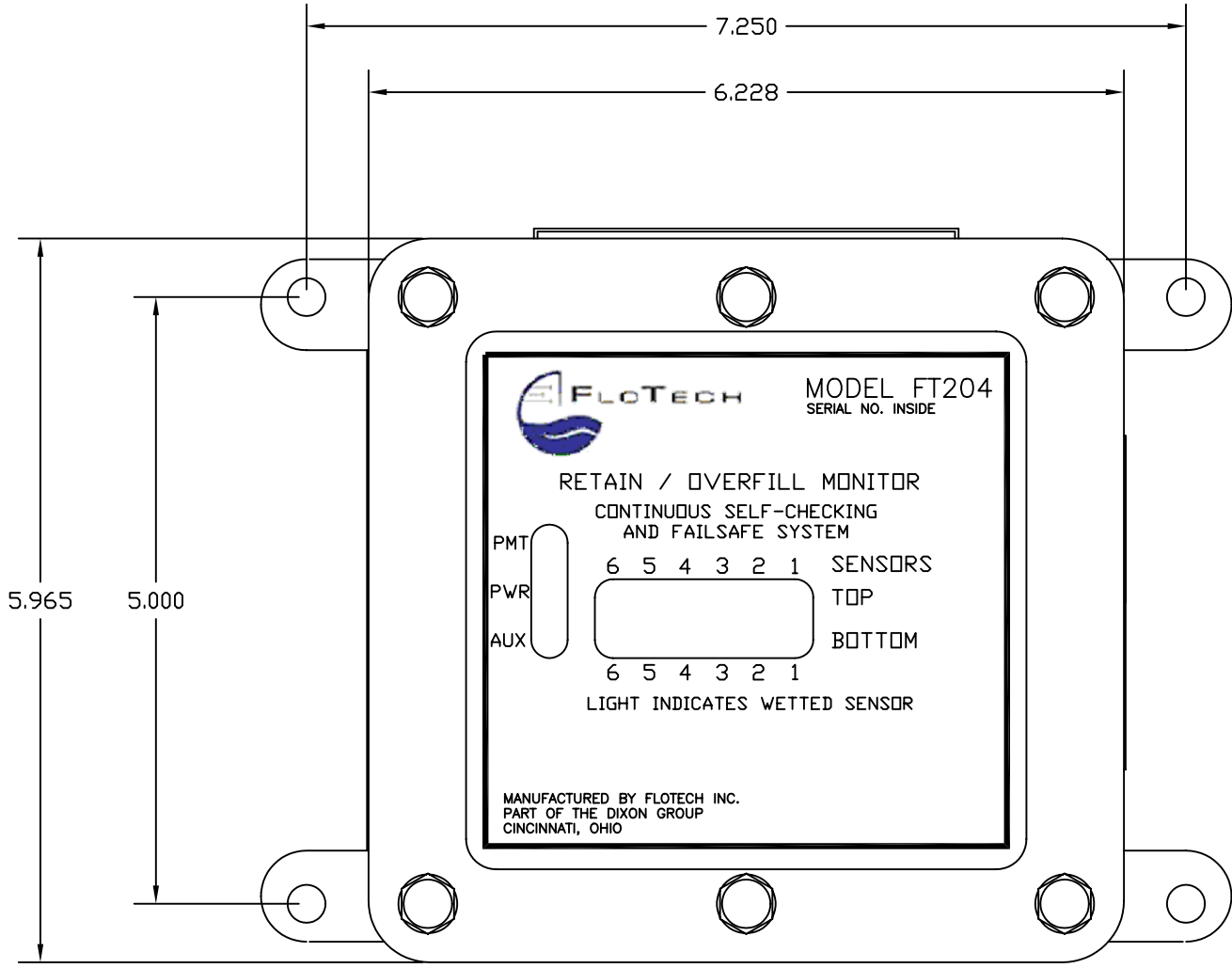
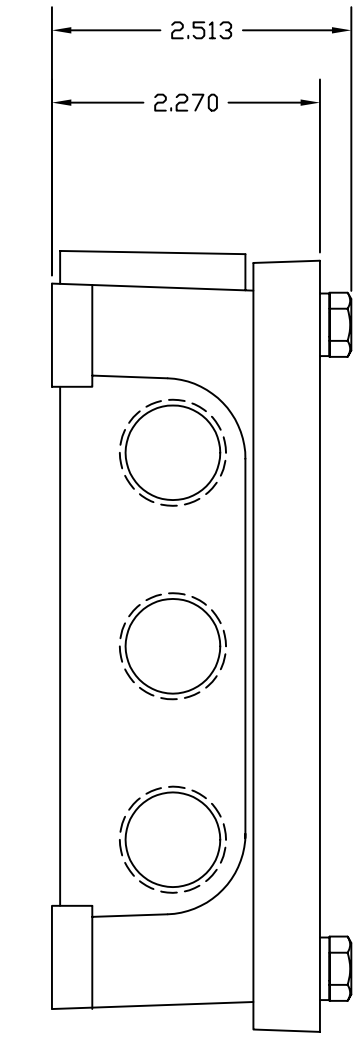
D
C
B
A

4

3

2

1



FLOTECH MODEL FT204
SERIAL NO. INSIDE

RETAIN / OVERFILL MONITOR
CONTINUOUS SELF-CHECKING
AND FAILSAFE SYSTEM

PMT
PWR
AUX

6 5 4 3 2 1 SENSORS
TOP
BOTTOM
6 5 4 3 2 1

LIGHT INDICATES WETTED SENSOR

MANUFACTURED BY FLOTECH INC.
PART OF THE DIXON GROUP
CINCINNATI, OHIO

Dixon Bayco USA Cincinnati, Ohio, U.S.A. A DVCC Inc. Company		TITLE FT204 & FT204P CUSTOMER DRAWING	
THIS DRAWING IS CONFIDENTIAL PROPERTY OF DIXON BAYCO USA, A DIVISION OF DVCC AND IS SUBJECT TO RETURN ON DEMAND. © COPYRIGHT 2000. DO NOT COPY.		SIZE C	DWG NO. FT204-CST
DIM. TOLERANCES UNLESS SPECIFIED. INCHES: .001 ± .001 MACHINE FRACTION ± 1/32 .002 ± .002 ROUGH CASTING ± 1/32 .003 ± .003		SCALE NONE	DATE 10DEC2003
		SHEET 1	OF 1

4

3

2

1