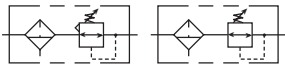
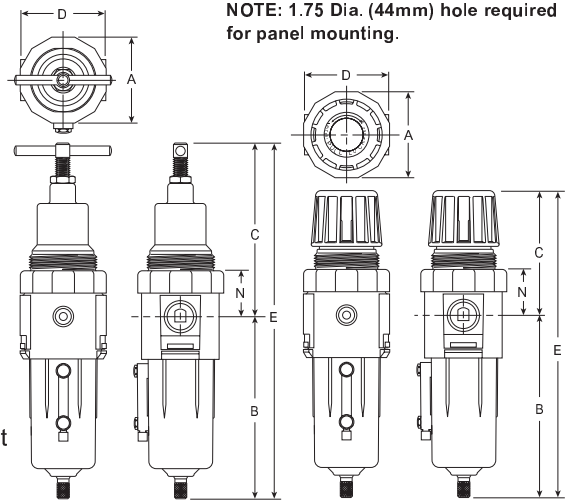


B11 / B12 General Purpose Filter / Regulators



Features

- High Flow Performance
- Diaphragm Operated Design
- Excellent Water Removal Efficiency
- Metal Bowl with Sight Gauge, Twist Drain and 40 Micron Element Standard
- Panel Mountable
- High Flow: 1/4" - 70 SCFM
 3/8" - 70 SCFM
 1/2" - 80 SCFM[§]
- **B11**: Push-to-Lock, Pull-to-Adjust. Adjusting Lock is engaged when Knob is Removed Rendering Unit Tamper Resistant
- **B12**: Heavy Duty Tee Handle Adjustment



Port Size	B11 NPT		B12 NPT	
	Manual Twist Drain	Auto Drain	Manual Twist Drain	Auto Drain
Zinc Bowl / Sight Gauge				
1/4"	B11-02WJC	B11-02WJCR	B12-02WJC	B12-02WJCR
3/8"	B11-03WJC	B11-03WJCR	B12-03WJC	B12-03WJCR
1/2"	B11-04WJC	B11-04WJCR	B12-04WJC	B12-04WJCR

B11 / B12 Integral Filter / Regulator Dimensions					
A	B	C	D	E	N
B11					
2.33 (59)	4.97 (126)	3.41 (86.5)	2.23 (56)	8.38 (213)	1.25 (31.8)
B12					
2.33 (59)	4.97 (126)	4.69 (119)	2.23 (56)	9.69 (249)	1.25 (31.8)

Bold Items are Most Popular.
 For other models refer to ordering information below.

§ SCFM = Standard cubic feet per minute at 100 PSIG inlet, 75 PSIG no flow secondary setting, and 20 PSIG pressure drop.

inches
(mm)

Ordering Information

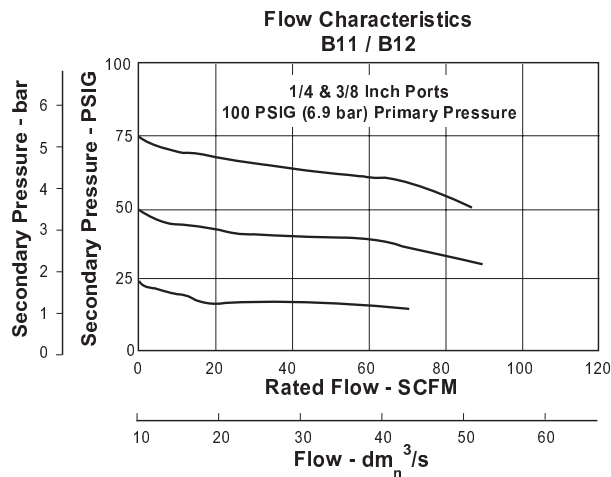
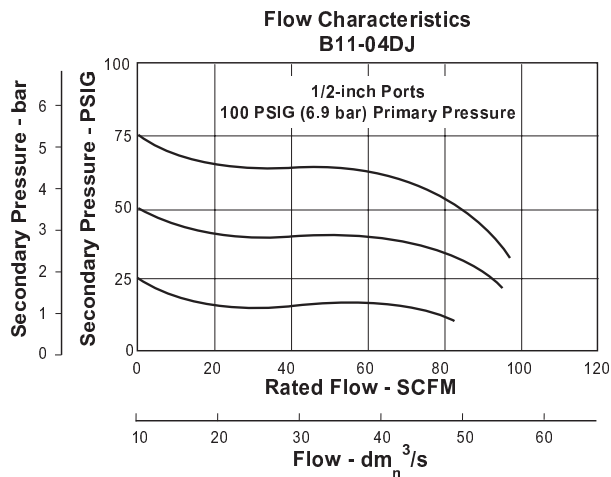


Series 11 Tamper Resistant, Snap Lock, Removable Knob 12 Tee Handle	Port Threads — NPT G BSPP	Port Size 02 1/4 Inch 03 3/8 Inch 04 1/2 Inch	Bowl D Metal without Sight Gauge W Metal with Sight Gauge	Elements G 5 Micron J 40 Micron	Reduced Pressure Range A 0-25 PSIG B 0-60 PSIG C 0-125 PSIG D 0-250 PSIG	Options G Gauge K Non-Relieving R Internal Auto Drain S Automatic Pulse Drain U Semi-Auto Drain X64 Fluorocarbon O-Rings and Diaphragm	Engineering Change Designator Will be entered at factory.
--	--	---	--	--	---	---	---

BOLD ITEMS ARE MOST POPULAR.



Technical Information



⚠ WARNING
Product rupture can cause serious injury.
Do not connect regulator to bottled gas.
Do not exceed maximum primary pressure rating.

⚠ CAUTION:
REGULATOR PRESSURE ADJUSTMENT – The working range of knob adjustment is designed to permit outlet pressures within their full range. Pressure adjustment beyond this range is also possible because the knob is not a limiting device. This is a common characteristic of most industrial regulators, and limiting devices may be obtained only by special design. For best performance, regulated pressure should always be set by increasing the pressure up to the desired setting.

B11 / B12 Integral Filter / Regulator Kits & Accessories

- Bowl Kits –**
 - Zinc (D)..... BKF11Y
 - Zinc with Sight Gauge (W)..... BKF11WY
- Cage Kits –**
 - B11..... CKR10Y
 - B12..... CKR11Y
- Drain Kits –**
 - Internal Auto Drain
(Max. Press. = 175 PSIG; Max. Temp. = 120°F) SA602MD
 - Automatic Pulse Drain (Maximum Pressure = 175 PSIG)..... 4210
 - Semi-Automatic “Overnight” Drain SA602A7
(Drains automatically under zero pressure)
- Filter Element Kits –**
 - 40 Micron (All) EKF10Y
 - 5 Micron (All) EKF10VY
- Gauges –**
 - 2" Dial Size, 1/4" Back Connection
0 to 60 PSIG (0 to 400 kPa) K4520N14060
 - 2" Dial Size, 1/4" Back Connection
0 to 160 PSIG (0 to 1100 kPa) K4520N14160
 - 2" Dial Size, 1/4" Back Connection
0 to 300 PSIG (0 to 2068 kPa) K4520N14300
- Mounting Bracket Kit** SAR10Y57
- Panel Mount Nut –**
 - Plastic R10X51-P
 - Aluminum..... R10X51-A

* Specify same model / revision number for repair kit as for filter/regulator. For example, B11-02DJC/M3 uses RKR10YM3.

Repair Kits –

- Non-Relieving Diaphragm, Valve Assembly* (All)..... RKR10KY
- Relieving Diaphragm, Valve Assembly* (All) RKR10Y
- Internal Auto Drain Repair Kit..... RK602MD

Specifications

- Bowl Capacity**4 Ounces
- Gauge Ports (2)** 1/4 Inch
- Port Threads** 1/4, 3/8, 1/2 Inch
- Supply Pressure**
 - Zinc Bowl (D)300 PSIG Maximum (20.4 bar)
 - Zinc Bowl with Sight Gauge (W).....250 PSIG Maximum (17.2 bar)
 - with Auto Drain 175 PSIG Maximum (12.1 bar)
- Temperature Rating –**
 - Zinc Bowl40°F to 150°F (4.4°C to 65.6°C)
 - Zinc Bowl with Auto Drain.....40°F to 125°F (4.4°C to 52°C)
- Weight** 1.3 lb. (0.59 kg) / Unit
12.4 lb. (5.62 kg) / 8-Unit Master Pack

Materials of Construction

- Adjusting Knob –**
 - B11 Acetal
 - B12 (Tee Handle) Steel
- Body**Zinc
- Bowls –**
 - Without Sight GaugeZinc
 - With Nylon Sight GaugeZinc
- Seals** Buna N

