

Excelon 74 Micro-Fog and Oil-Fog Lubricators 3/8", 1/2", 3/4" Port Sizes

- Excelon design allows in-line or modular installation
- Quick release bayonet bowl
- Highly visible, prismatic liquid level indicator lens
- Flow sensor design provides a nearly constant oil/air ratio over a wide range of air flows
- All around (360°) visibility of the sight-feed dome simplifies installation and adjustment
- Modular installations with Excelon 72, 73, and 74 series can be made to suit particular applications



Use Micro-Fog models in applications with one or more points of lubrication.

Use Oil-Fog models to lubricate a single tool, cylinder, or other air driven device.

Ordering Information. Models listed include PTF threads, manual drain, and 7 fluid ounce (0.2 liter) metal bowl with plastic liquid level indicator.

Type	Main Port Size	Model Number *	Flow** scfm (dm ³ /s)	Weight lb (kg) [†]
Micro-Fog	3/8"	L74M-3AP-QDN	114 (54)	1.70 (0.77)
	1/2"	L74M-4AP-QDN	154 (73)	1.61 (0.73)
	3/4"	L74M-6AP-QDN	142 (67)	1.55 (0.71)
Oil-Fog	3/8"	L74C-3AP-QDN	118 (56)	1.70 (0.77)
	1/2"	L74C-4AP-QDN	192 (91)	1.61 (0.73)
	3/4"	L74C-6AP-QDN	186 (88)	1.55 (0.71)

* Models listed in the order table must not be located downstream of frequently cycling directional control valves. Order the optional bi-directional Oil-Fog Lubricator for use under such conditions.

** Typical flow with 90 psig (6.3 bar) inlet pressure and a pressure drop of 7 psig (0.5 bar).

† Lubricators with 1 quart (1 litre) metal bowl: Add 2.01 lbs (0.91 kg).

Alternative Models

L | 7 | 4 | ★ | - | ★ | ★ | ★ | - | ★ | ★ | ★

Type	Substitute
Oil-Fog	C
Micro-Fog	M

Port Size	Substitute
3/8"	3
1/2"	4
3/4"	6

Threads	Substitute
PTF	A
ISO Rc taper	B
ISO G parallel	G

Air Flow Direction	Substitute
Bi-directional (Oil-Fog only)	E
Uni-directional	P

Options	Substitute
Low oil level switch ***	L
None	N
Pyrex dome *†	P
Quick fill nipple	Q

Bowl	Substitute
1 quart US (1 liter) metal with Pyrex liquid level indicator ††	A
7 fluid oz. (0.2 liter) metal with plastic liquid level indicator	D
7 fluid oz. (0.2 liter) transparent with guard	P
7 fluid oz. (0.2 liter) metal with Pyrex liquid level indicator††	R

Drain	Substitute
Closed bottom	E
Manual 1/4 turn	Q
Remote fill device - Use only with 7 fluid oz. (0.2 liter) bowl.	R

*** Low oil level switch requires 1 litre bowl, type 'A' at 9th digit.

*† Pyrex dome used only with bowl type 'A' or 'R' at 9th digit.

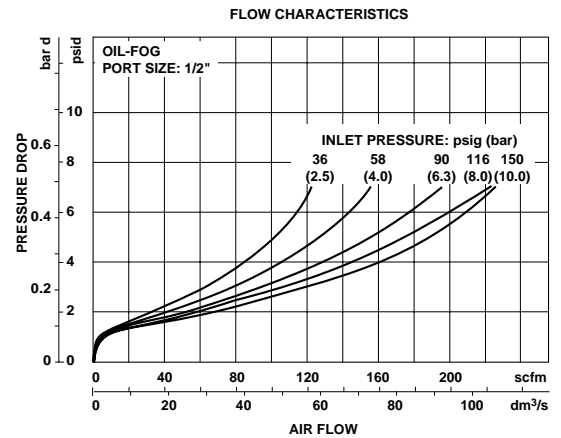
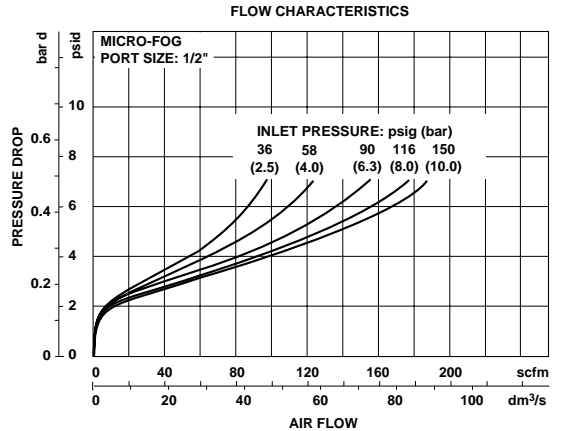
†† Pyrex liquid level indicator used only with option 'P' at 10th digit.



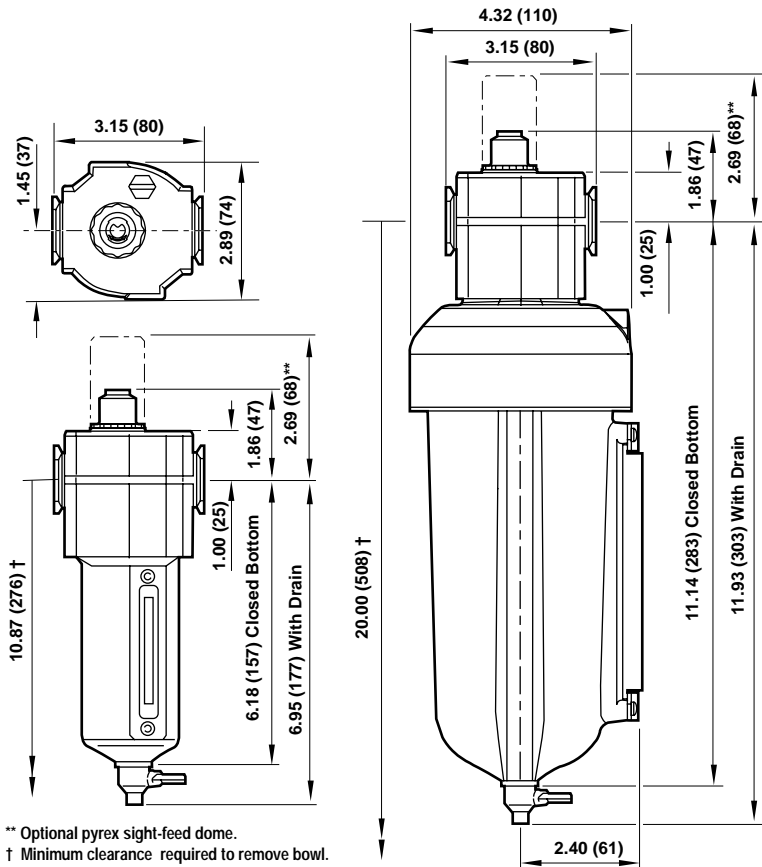
Technical Data

Fluid: Compressed air
 Maximum pressure:
 Transparent bowl: 150 psig (10 bar)
 Metal bowl: 250 psig (17 bar)
 Operating temperature*:
 Transparent bowl: 0° to 125°F (-20° to 50°C)
 Metal bowl: 0° to 175°F (-20° to 80°C)
 * Air supply must be dry enough to avoid ice formation at temperatures below 35°F (2°C).
 Start point (i.e. minimum flow required for lubricator operation): 2.5 scfm (0.94 dm³/s) at 90 psig (6.3 bar) inlet pressure
 Typical flow with 90 psig (6.3 bar) inlet pressure and 7 psig (0.5 bar) pressure drop
 Micro-fog: 154 scfm (73 dm³/s)
 Oil-fog: 192 scfm (91 dm³/s)
 Nominal bowl size:
 Standard: 7 fluid ounce (0.2 liter)
 Optional: 1 quart US (1 liter)
 Manual drain connection: Will fit 1/8-27 and 1/8-28 pipe thread
 Recommended lubricants: See Section ALE-29.
 Materials
 Body: Aluminum
 Bowl
 Transparent: Polycarbonate with steel bowl guard
 Metal: Aluminum
 Metal bowl liquid level indicator lens:
 7 fluid ounce (0.2 liter): Transparent nylon
 1 quart US (1 liter): Pyrex
 Sight-feed dome: Transparent nylon
 Elastomers: Neoprene and Nitrile

Typical Performance Characteristics



All Dimensions in Inches (mm)



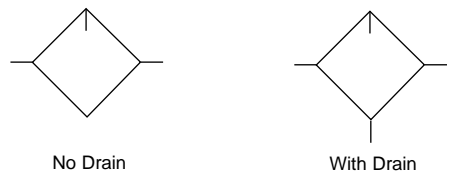
** Optional pyrex sight-feed dome.
 † Minimum clearance required to remove bowl.

Service Kits

Item	Type	Part Number
Service kit	Seal & Gasket	4382-700
Liquid level lens kit	7 fluid ounce (0.2 liter) bowl	4380-050
	1 quart US (1 liter) bowl	2273-22
Replacement drain	Manual 1/4 turn	619-50

Service kit includes dome seal, drain seal, bowl seal and fill plug seal

ISO Symbols



See Section ALE-24 for Accessories