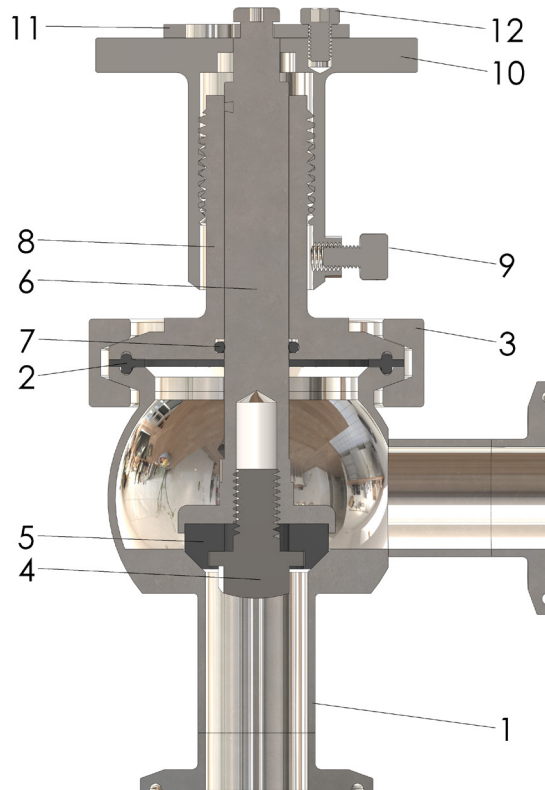




Dixon Sanitary SV-Series Single Seat Hygienic Valves

SV-Series 1" Single Body Valve - Manual



Bill of Materials

| Item No. | Qty | Description | Part # |
|----------|-----|-------------------|-------------|
| 1A | 1 | Lower Body "L" | SV-LBLC100 |
| 1B | 1 | Lower Body "T" | SV-LBTC100 |
| 1C | 1 | Lower Body "Y" | SV-LBYC100 |
| 2 | 1 | Gasket | 40MP-E200 |
| 3 | 1 | Clamp | 13MHHM200SN |
| 4 | 1 | Seat Bolt | SV-SB100 |
| 5 | 1 | Seat Seal | SV-KE100 |
| 6 | 1 | Short Manual Stem | SV-SSMR100 |
| 7 | 1 | Stem O-Ring | SV-OTE100 |
| 8 | 1 | Rotating Stem | SV-SR100 |
| 9 | 1 | Lock Screw | SV-HM5X10 |
| 10 | 1 | Handle | SV-H100 |
| 11 | 1 | Round Clip | SV-HRC100 |
| 12 | 1 | Sink Bolt | SV-HM5X6 |

For "Y" Body change item #3 to Part #13WGC200

SV-Series 1" Single Body Valve - Manual



Bill of Materials

| Item No. | Qty | Description | Part # |
|----------|-----|-------------------|---------------|
| 1A | 1 | Lower Body "L" | SV-LBLC100 |
| 1B | 1 | Lower Body "T" | SV-LBTC100 |
| 1C | 1 | Lower Body "Y" | SV-LBYC100 |
| 2 | 1 | Gasket | 40MP-E200 |
| 3 | 1 | Clamp | 13MHHM200SN |
| 4 | 1 | Seat Bolt | SV-SB100 |
| 5 | 1 | Seat Seal | SV-KE100 |
| 6 | 1 | Short Manual Stem | SV-SSMR100 |
| 7 | 1 | Stem O-Ring | SV-OTE100 |
| 8 | 1 | Rotating Stem | SV-SR100 |
| 9 | 1 | Lock Screw | SV-HM5X10 |
| 10 | 1 | Handle | SV-H100 |
| 11 | 1 | Round Clip | SV-HRC100-400 |
| 12 | 1 | Sink Bolt | SV-HM5X6 |

For "Y" Body change item #3 to Part #13WGC200

Dixon Sanitary

N25 W23040 Paul Road • Pewaukee, WI 53072
 ph: 800.789.1718 • 262.513.6900 • fx: 800.789.4046 • 262.513.4904
dixonvalve.com