

Compact design
5 µm particle removal element
Push to lock adjusting knob with tamper resistant option
Micro-Fog lubricator provides air line lubrication to one or more air driven tools or other devices
Nearly constant oil density output with varying air flow

Technical data
Fluid:

Compressed air, neutral gases
NOTE: Contact technical support for use with other media.

Maximum pressure

150 psig (10 bar)

Operating temperature*

0° to 125°F (-20° to 50°C)

* Air supply must be dry enough to avoid ice formation at temperatures below 35°F (2°C)

Typical flow at 100 psig (7 bar) inlet pressure, 90 psig (6.3 bar) set pressure and a droop of 15 psig (1 bar) from set:

1/8" ports: 10 scfm (5 dm³/s)

1/4" ports: 14 scfm (7 dm³/s)

Drain connection:

1/8" male pipe

Filter/Regulator

Particle removal:

5 µm

Gauge ports:

1/8" PTF with PTF main ports

Automatic drain operation:

Spitter type drain operates momentarily when a rapid change in air flow occurs or when the supply pressure is reduced.

Lubricator

Start point (i.e., minimum flow required for lubricator operation): 0.5 scfm (0.24 dm³/s) at 90 psig (6.3 bar) inlet pressure
Nominal bowl capacity: 1 fluid ounce (31 ml)

Materials

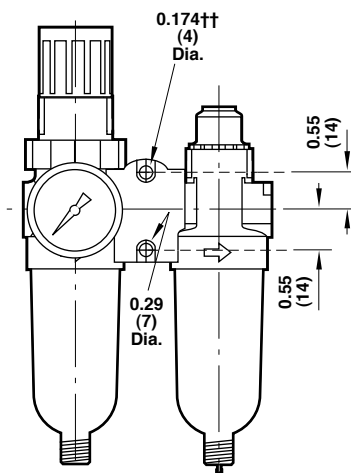
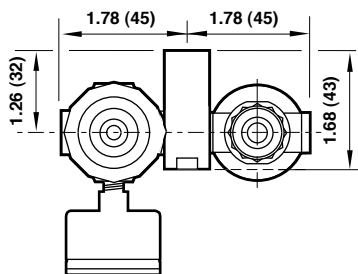
Bodies: zinc
Filter/Regulator bonnet: acetal
Filter/Regulator valve seat: acetal
Bowls
Transparent: polycarbonate
Lubricator sight-feed dome: Transparent nylon
Filter element: Sintered polypropylene
Elastomers: nitrile, chloroprene

Ordering information

Models listed include PTF threads, transparent bowls, filter/regulator with relieving diaphragm, automatic drain, 5 µm element, 5 to 100 psig (0.3 to 7 bar) outlet pressure adjustment range*, gauge, and microfog lubricator.

Port Size	Model Number	Weight lbs (kg)
1/8"	PTH-100-A1AA	0.87 (40)
1/4"	PTH-200-A1AA	0.87 (40)

* Outlet pressure can be adjusted to pressures in excess of, and less than, those specified. Do not use these units to control pressures outside of the specified ranges.



† Minimum distance required to remove bowl
†† Mounting holes

Service Kits

Item	Type	Part number
Service kits, filter/regulator	relieving, 5 µm element	3820-02
Service kit, lubricator		3795-03
Replacement drains	Manual	773-03
	Automatic	3654-02
Replacement wall bracket for PTH unit	Integral 2 piece	6700-30

Filter/regulator service kit contains slip ring, diaphragm, valve seat with o-ring, valve, valve spring, element, element gasket, and bowl o-ring.
Lubricator service kit contains sight-feed dome seal, cartridge o-ring, and bowl o-ring.

Dimensions in inches (mm)