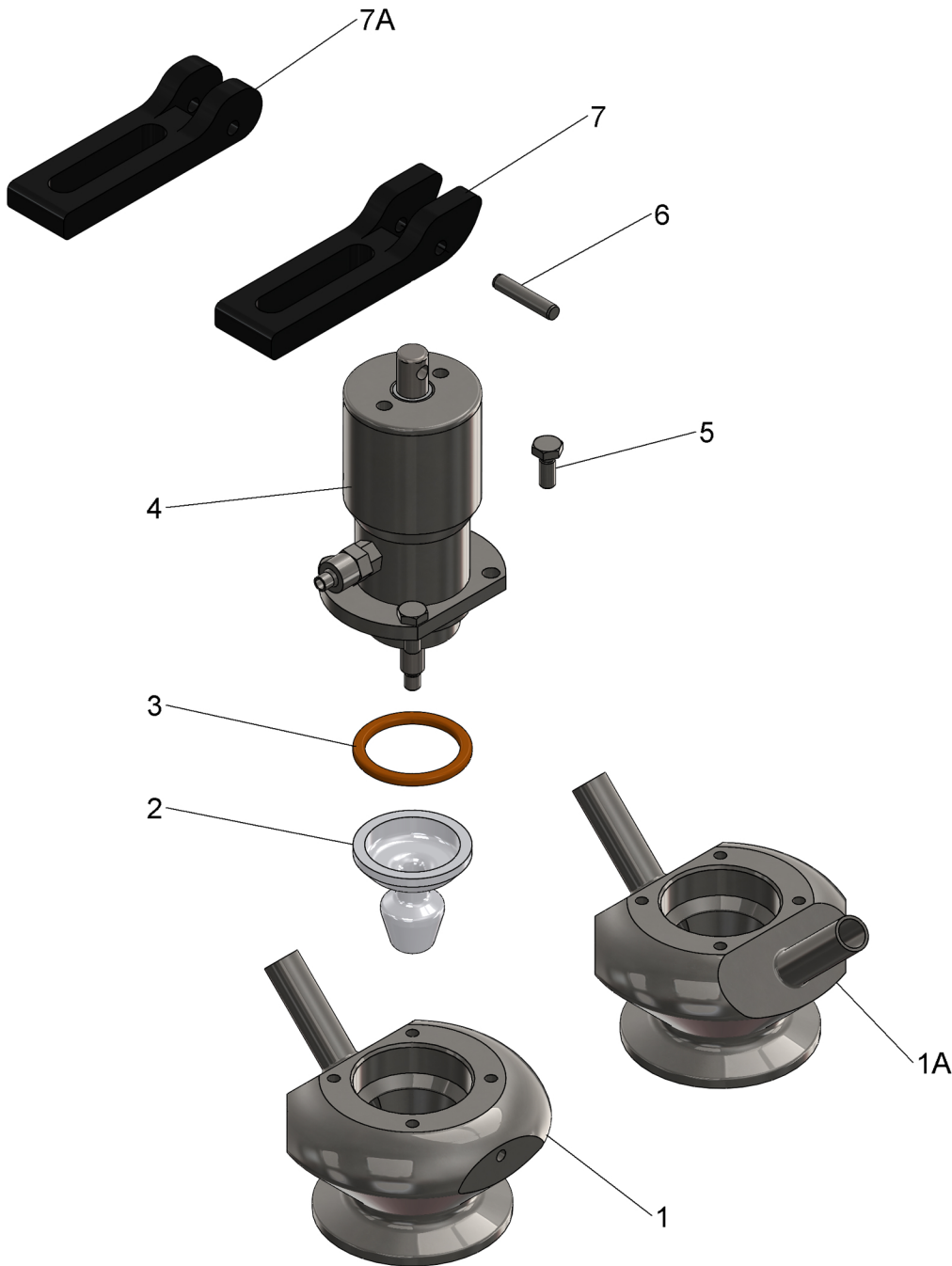




The Right Connection®



Number	Part	Quantity	Material
1	single port body	1	316L
1A	dual port body	1	316L
2	bellows	1	PTFE
3	O-ring	1	silicone
4	actuator	1	304
5	body bolts	4	304
6	lever pin	1	304
7	self closing lever	1	Nylon 6
7A	open postion lever	1	Nylon 6

Dixon Sanitary

800.789.1718
dixonvalve.com